



**METALMEC**

**EVENT & REMOVAL RAMPS**

**RAMPS**

**BRIDGES**

**TAIL LIFTS**

**GANGWAYS**

**LOADING SYSTEMS  
IN ALUMINIUM ALLOY**  

---

**GENERAL CATALOGUE**



COMPANY	2
SELECTION GUIDE: IDENTIFYING THE MOST SUITABLE PRODUCT	8
EVENT & REMOVAL RAMPS AND LOADING RAMPS	10
RAMPS BRIDGES AND TAIL LIFTS	51
RAMPS AND GANGWAYS FOR OVERCOMING ARCHITECTURAL BARRIERS	66

# COMPANY



Skilled professionals manually carry out welding procedures that are not performed by automatic systems: the combination of state-of-the-art technology and human professionalism ensures excellent results.



The warehouses storing raw materials and semi-finished products, managed as safety stock by the material requirements planning system (MRP), allow the company to produce even non-standard systems in a short amount of time.

## MARKET LEADER: LOADING SYSTEMS IN ALUMINIUM ALLOY



The large headquarters at Mapello (BG), Italy, with over 4000 sqm dedicated to production and warehouses.

With more than twenty years of experience in the design, production and sale of aluminium alloy loading and unloading systems, METALMEC has risen to the position of market leader in Italy and ranks as one of the best in Europe. The professional expertise gained from working with the best primary aluminium alloys, moulding and welding to the highest quality standards, allows us to offer a wide range of strong, lightweight systems to ensure the safe, easy movement of goods and people in everyday work situations and in overcoming architectural barriers (obstacles such as steps, pavements or construction site trenches). We provide high-quality, reliable and durable solutions for a wide variety of applications and sectors. Quality and professionalism make the difference – they are our strength.



The 600 KN press in the test area, used for destructive tests on prototypes prior to starting production and for the certification of finished products.



The added value of the design process becomes a reality with exclusive primary aluminium alloy profiles engineered and produced to our specifications by qualified, certified suppliers: A considerable yet necessary investment in order to ensure that the mechanical and functional performance of our products fulfils what we promise.

## DESIGN BEFORE CREATION: A GUARANTEE OF SAFETY



Careful analyses in the product design and prototyping stages are essential for achieving an excellent final result.

Whatever your loading or unloading needs, our range is sure to offer you a solution that will guarantee you the best in terms of safety, as the implications of using these products are not to be underestimated. Whether you are moving a 50-tonne vehicle or simply moving equipment manually, the consequences of a fall or slip can be disastrous.

Being aware of these risks, we design and manufacture our systems in strict accordance with the relevant regulations. When it comes to the approval stage, our products are tested at twice the stated loading capacity (safety factor of 2.1). We have our very own on-site test area, where we carry out destructive tests on our products to check the reliability of the structural calculations made during the design stage,

prior to starting production. The products authorised with a specific logo have also been verified and certified by specialists from a notified body at international level.

Metaltec products for pedestrian use are certified for slip resistance (R12 and R13), according to DGUV 108-3:2003.

Each one of our products is supplied with an Instruction and Warning Manual and the respective manufacturer's Declaration of Conformity (please note that products in the categories "event & removal ramps", "ramps", "gangways", "bridges" and "tail lifts" are not subject to CE certification).

As well as the product certification, Metaltec has also been given certification for its in-house quality management system.



Regular Production  
Surveillance  
Safety  
Type Approved  
www.tuv.com  
ID: 1111240519



Product certification  
RANGES: HLS – HS – M030 – M040 – M050 – M055 – M055P – M060 – M065 – M065P – M074 – M076 – M085 – M100 – M115 – M125 – M140 – M150 – M160 – M170 – M185 – M200 – M230 – M120S – M105F – M120F – M130F – SH – MP – MPP – MPI – MPPI – MPC – MPCP – MPCL



Management System  
ISO 9001:2015  
www.tuv.com  
ID: 0915090317



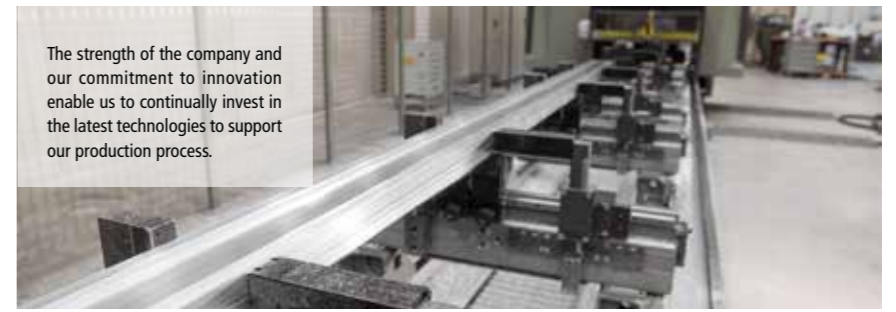
Quality management system certification  
ISO 9001:2015

R12 slip resistance certification:  
M050 – MPPI – MPI – MPP – MP

R13 slip resistance certification:  
HLS – HS – M030 – M040 – M060 – MPC – MPCl – MPCP – MPCL – MBAP – MBAS



Specially designed robotic systems flawlessly perform several stages of the production process, ensuring maximum quality in series production.



The strength of the company and our commitment to innovation enable us to continually invest in the latest technologies to support our production process.



An exclusive semi-automatic packing system is dedicated to the finishing of the product prior to delivery.



Careful preparation of the products prior to delivery ensures that they are not damaged during shipping.

## LEAN MANUFACTURING: STATE-OF-THE-ART TECHNOLOGY AND SKILLED PERSONNEL



The large warehouse storing finished products allows us to reduce delivery times and arrange quick shipment of goods around the world.

The internal production process is organised such that we can respond quickly and flexibly to the frequent changes in production owing to the wide range of systems included in the catalogue, while maintaining the quality and timings demanded by the market. Manufacturing processes performed by modern automated equipment alternate with manual processes carried out by skilled personnel.

The result is a product that we love to describe as "artisan"; perfectly suited to the specific requirements of the application, with careful management of any customisation or special production requested by the client. Careful finishing, automated packing and well-organised logistics ensure that the product is delivered by the agreed deadline.



# EVENT & REMOVAL RAMPS AND LOADING RAMPS



The wide range of event & removal ramps and loading ramps produced by Metalmecc has been studied, designed and manufactured to fully meet the professional requirements for loading and unloading vehicles and equipment. It covers numerous fields of application, ranging from logistics, earthmoving, gardening and agricultural cultivation through to domestic and other non-professional use.

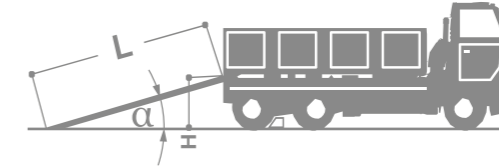
With the ability to move vehicles with rubber tyres or steel tracks, weighing from 300 kg to 58,000 kg (motorcycles, cars, gardening machinery, tractors, excavators, aerial platforms, etc.), our range of standard or customised products is sure to provide you with a solution that will guarantee you the best in terms of quality, durability and safety.

## HOW TO DETERMINE THE LENGTH OF THE EVENT & REMOVAL RAMP OR LOADING RAMPS

During use, the inclination ( $\alpha$ ) of the event & removal ramp or loading ramps must not exceed a maximum slope of 30% (approx. 16.5°). In order to establish the minimum length (L) of the event & removal ramp or loading ramps to a good approximation, apply the following formula:

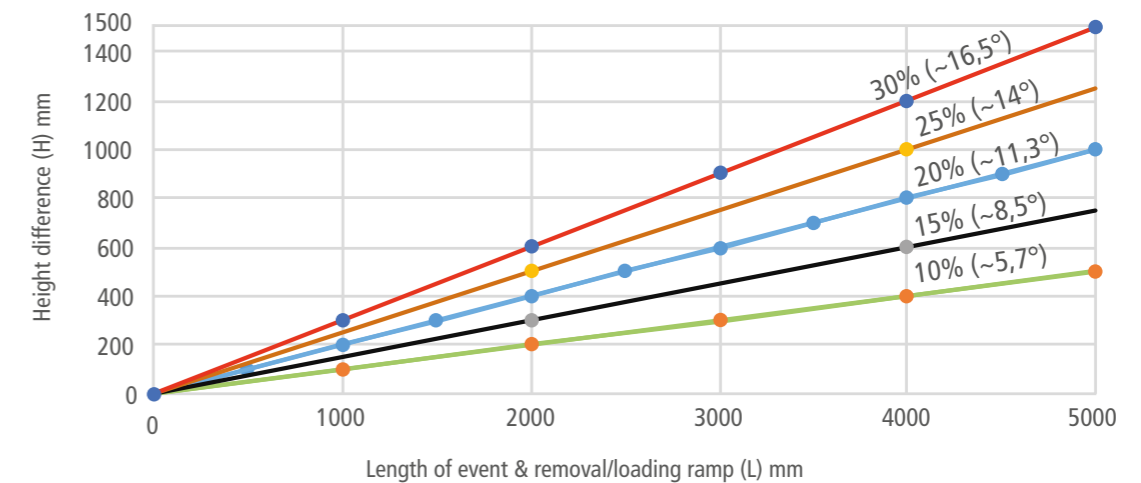
$$\text{LENGTH OF EVENT \& REMOVAL/LOADING RAMP IN MILLIMETRES (L) = } \frac{\text{HEIGHT DIFFERENCE IN MILLIMETRES (H) X 100}}{\% \text{ MAXIMUM SLOPE } (\alpha)}$$

Height difference (H) refers to the height of the loading bed from the ground.



EXAMPLE: Let's assume we need to overcome a height difference (H) of 1200 mm. By applying the formula indicated above, we obtain:  
 LENGTH OF EVENT & REMOVAL/LOADING RAMP IN MILLIMETRES (L) = 1200 mm x 100 / 30 = 4000 mm

The diagram clearly shows the dimensions used to determine the length of the event & removal ramp or loading ramps and their interrelationships expressed by the formula above.



## NOTES

- If you would like an event & removal ramp or pair of ramps that are longer (and therefore less steep) than the minimum length obtained using the calculation formula above, please specify as the bottom end of the ramp will need to be adapted to fit the resulting lower inclination.
- The loading capacities indicated in the following tables refer to uniformly distributed loads according to the wheelbase indicated and the width of the ramp. The more concentrated the load (or the smaller the wheelbase), the lower the loading capacity; a product with a larger nominal loading capacity should therefore be selected.
- For vehicles with steel tracks, ramps with a loading capacity at least 15% greater than the weight of the vehicle itself must be used.
- The lengths indicated in the following tables are approximate (the length varies depending on the head connection selected); if you require more precise measurements, please contact us directly.
- The instructions for use and maintenance are described in the instruction and warning manual supplied with the product.
- The manufacturer's declaration of conformity is an integral part of the instruction and warning manual.
- For all information regulating the supply of these products, please refer to the manufacturer's General Conditions of Sale at the following website: [www.metalmeccsrl.it](http://www.metalmeccsrl.it).

## OPTIONS

- Event & removal ramps and loading ramps are supplied as standard with the standard head connection. Other head models are available on request, depending on different application needs; head with hook, support or tube.
- Event & removal ramps and loading ramps are supplied as standard with anchoring systems on the standard loading bed, which differ according to product family. On request, the product can be configured with the anchoring systems available.
- Further information about the available options is provided on the following product pages. If this is not sufficient, please contact us directly.

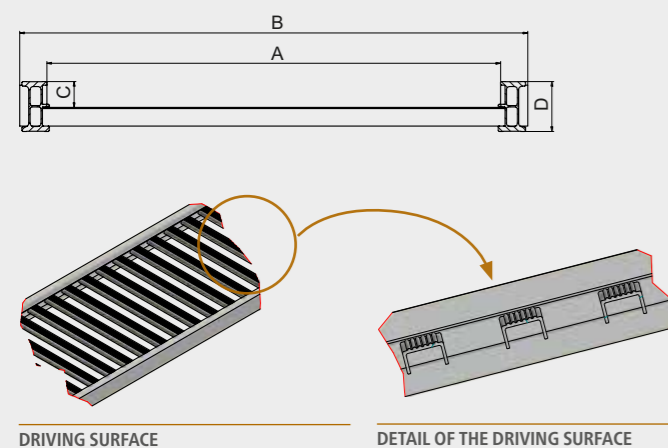
# SKIP RAMPS

# M055P-M065P

PRODUCT FAMILY:  
**M055P-M065P**

MAX. LOADING CAPACITY:  
**300 kg**

The M055P-M065P range of skip ramps, particularly suited to the fields of construction and gardening, has been designed for any application that requires the use of manual wheelbarrows in the loading and unloading of materials. The gaps in the driving surface not only allow the easy drainage of water or snow, but also have a self-cleaning effect on the dirt-covered wheels of the equipment, thereby guaranteeing good grip during use. The shoes of the user also benefit from this effect. This lightweight, easy-to-handle product is built with raised edges.



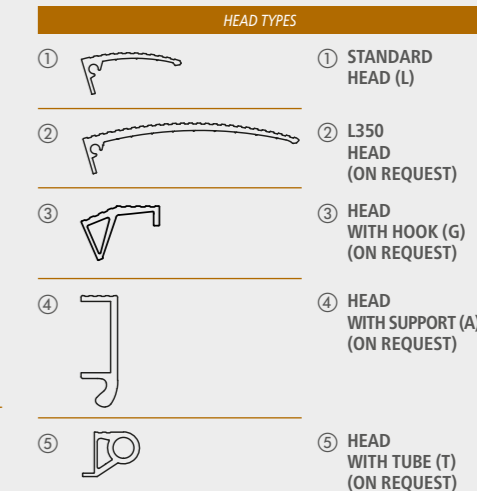
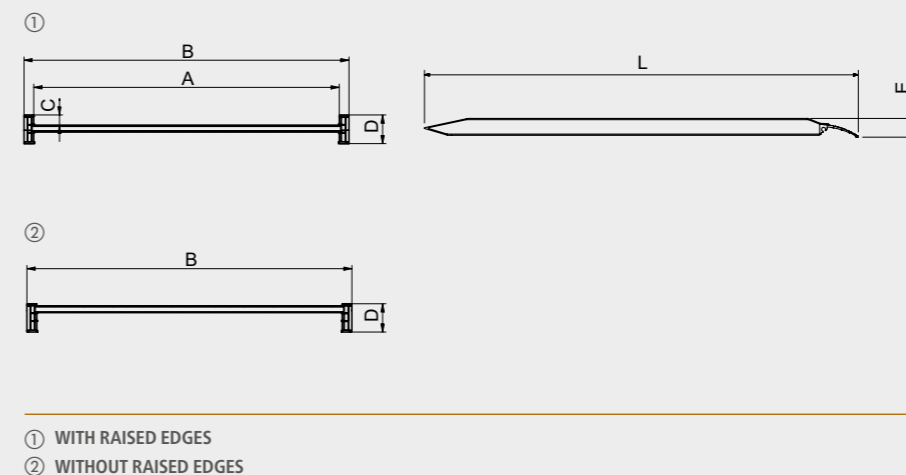
# EVENT & REMOVAL RAMPS

# MPC

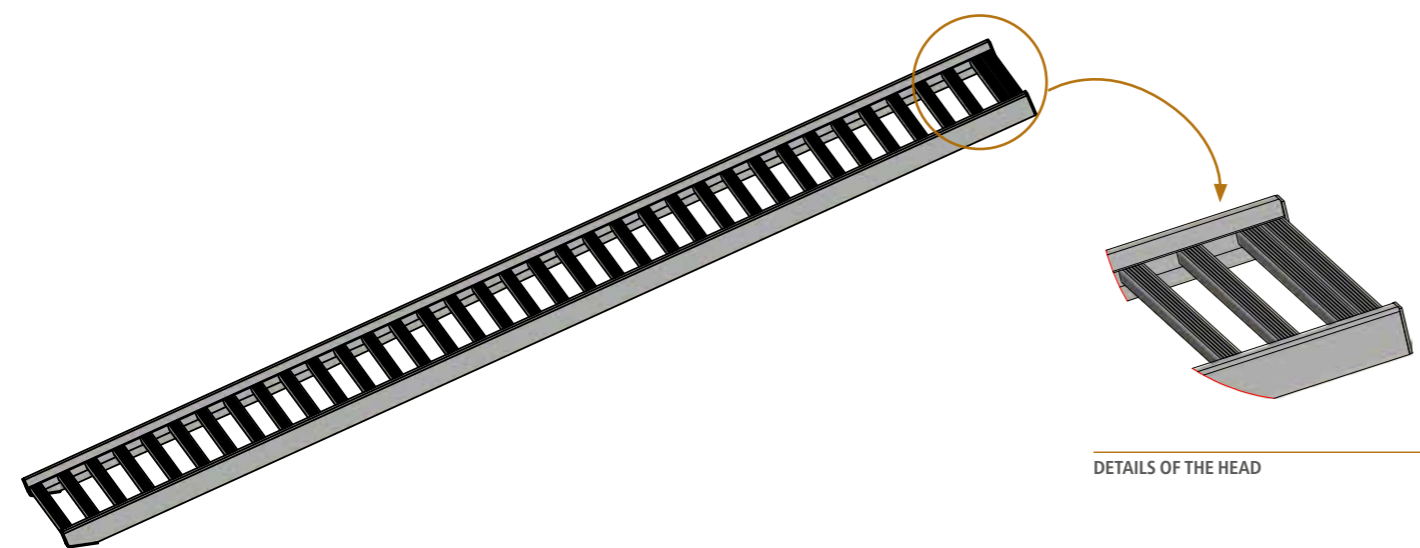
PRODUCT FAMILY:  
**MPC**

MAX. LOADING CAPACITY:  
**1.000 kg**

This type of event & removal ramp, made with a special non-slip driving surface, is particularly suited to any sector that uses manual pallet trucks or hand-pushed trolleys or equipment with small rubber wheels for loading and unloading work. Logistics companies specialising in removals, beverage delivery or event organisation are just a few examples of potential users of this product range. The range is made with or without raised edges and the product is supplied with the required anchoring tabs.



Model	Item code	Loading capacity kg	Length L mm	Internal width A mm	External width B mm	Height of raised edge C mm	Height of ramp profile D mm	Weight per piece kg
M055P/30	MM451B0.56.30	300	3000	500	560	28,5	55	17
M055P/40	MM451B0.56.40	300	4000	500	560	28,5	55	22
M065P/50	MM451B0.56.50	300	5000	500	560	28,5	65	30
M065P/57	MM451B0.56.57	300	5700	500	560	28,5	65	34

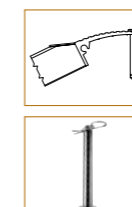


Model	Item code		Loading capacity kg with 1000 mm wheelbase	Length L mm	Internal width A mm	External width B mm	Height of raised edge C mm	Height of ramp profile D mm	Ramp dimension with raised edges E* mm	Weight per piece kg
	with raised edges	without raised edges								
MPC1800.750.1000	MM402BL.07.18	MM402SL.07.18	1000	1791	690	750	29	65	83	21
MPC2000.750.1000	MM402BL.07.20	MM402SL.07.20	1000	1991	690	750	29	65	83	24
MPC2400.750.1000	MM402BL.07.24	MM402SL.07.24	1000	2391	690	750	29	85	91	29
MPC2600.750.1000	MM402BL.07.26	MM402SL.07.26	1000	2591	690	750	29	85	91	32
MPC3000.750.1000	MM402BL.07.30	MM402SL.07.30	1000	2991	690	750	29	100	100	37
MPC3600.750.1000	MM402BL.07.36	MM402SL.07.36	1000	3591	690	750	29	115	115	45
MPC1800.1000.1000	MM402BL.10.18	MM402SL.10.18	1000	1791	940	1000	29	65	83	27
MPC2000.1000.1000	MM402BL.10.20	MM402SL.10.20	1000	1991	940	1000	29	65	83	30
MPC2400.1000.1000	MM402BL.10.24	MM402SL.10.24	1000	2391	940	1000	29	85	91	37
MPC2600.1000.1000	MM402BL.10.26	MM402SL.10.26	1000	2591	940	1000	29	85	91	40
MPC3000.1000.1000	MM402BL.10.30	MM402SL.10.30	1000	2991	940	1000	29	100	100	46
MPC3600.1000.1000	MM402BL.10.36	MM402SL.10.36	1000	3591	940	1000	29	115	115	56
MPC4000.1000.1000	MM402BL.10.40	MM402SL.10.40	1000	3991	940	1000	30	125	125	66
MPC4400.1000.1000	MM402BL.10.44	MM402SL.10.44	1000	4391	940	1000	30	125	125	72
MPC5000.1000.1000	MM402BL.10.50	MM402SL.10.50	1000	4991	940	1000	30	140	140	85

## ANCHORING SYSTEMS



**Aluminium tab (standard):** The advantage of this anchoring system lies in the fact that the tab can be positioned along a large portion of the event & removal ramp's width, and can turn inside the head connection into which it has been inserted. The system comes with end caps for the head to prevent the tab disconnecting from the event & removal ramp during use.



**Steel pin (on request):** A galvanised steel pin with a diameter of 14 mm and a 24-mm-diameter head can be inserted through the holes in the standard head connection of the event & removal ramp and the loading bed.

## HANDLING SYSTEMS



**Nylon handles (on request):** The product can be supplied with robust nylon handles to facilitate handling. Available in lengths of 30 cm and 60 cm, according to the model of the product selected.

Recommended nylon handles for manual handling: 4 pcs each event ramp. Recommended nylon handles for handling by lifting equipment: 2 pcs minimum each event ramp.



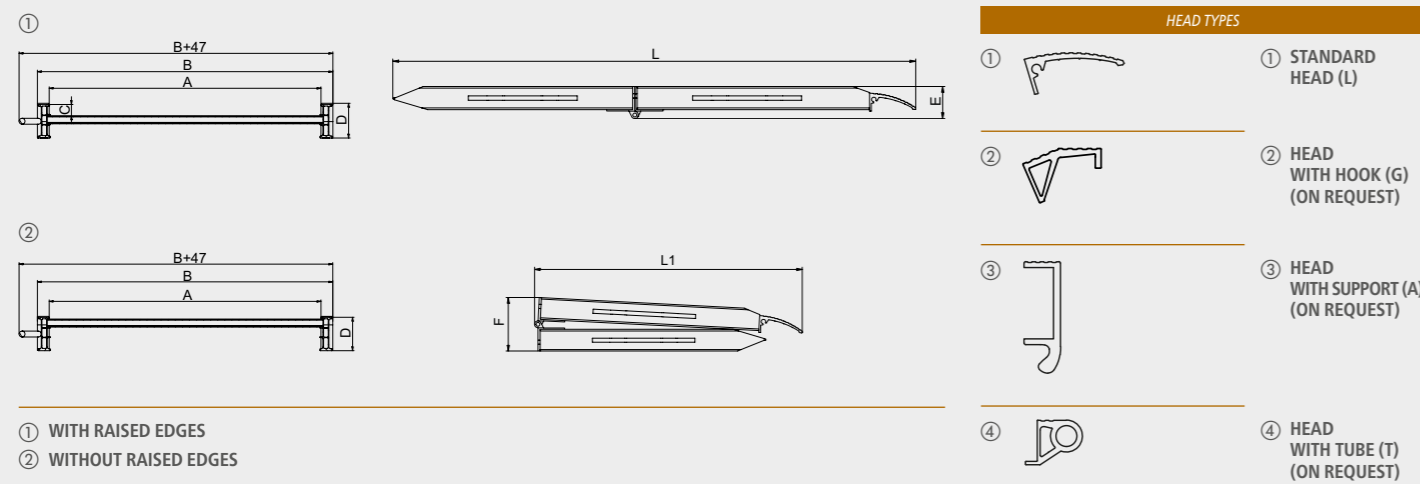
PRODUCT FAMILY:

### MPCI

MAX. LOADING CAPACITY:

### 1.000 kg

The hinged event & removal ramps, made with a special non-slip driving surface, have been conceived for all users who need a product with a high loading capacity and that allows dimension reduction when not in use during transport with vehicles with small space for its housing. The functional hinge system and the side handles ensure the easy opening and closing of the ramp as well as its handling during loading and unloading operations with manual pallet trucks, hand-pushed trolleys or equipment with small rubber wheels. The range is made with or without raised edges and the product is supplied with the required anchoring tabs.



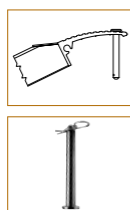
① WITH RAISED EDGES  
② WITHOUT RAISED EDGES

Model	Item code		Loading capacity kg with 1000 mm wheelbase	Standard length L mm	Folded ramp length L1 mm	Internal width A mm	External width B mm	Height of raised edge C mm	Height of ramp profile D mm	Ramp dimension E mm	Folded ramp dimension F mm	Weight per piece kg
	with raised edges	without raised edges										
MPCI1800.750.1000	MM403BL.07.18	MM403SL.07.18	1000	1812	986	690	750	29	85	116	207	31
MPCI2000.750.1000	MM403BL.07.20	MM403SL.07.20	1000	2012	1051	690	750	29	85	116	207	33
MPCI2400.750.1000	MM403BL.07.24	MM403SL.07.24	800	2412	1251	690	750	29	85	116	207	38
MPCI2600.750.1000	MM403BL.07.26	MM403SL.07.26	700	2612	1386	690	750	29	85	116	207	40
MPCI3000.750.1000	MM403BL.07.30	MM403SL.07.30	500	3012	1586	690	750	29	100	131	237	45
MPCI1800.1000.1000	MM403BL.10.18	MM403SL.10.18	1000	1812	986	940	1000	29	85	116	207	39
MPCI2000.1000.1000	MM403BL.10.20	MM403SL.10.20	1000	2012	1051	940	1000	29	85	116	207	42
MPCI2400.1000.1000	MM403BL.10.24	MM403SL.10.24	800	2412	1251	940	1000	29	85	116	207	48
MPCI2600.1000.1000	MM403BL.10.26	MM403SL.10.26	700	2612	1386	940	1000	29	85	116	207	50
MPCI3000.1000.1000	MM403BL.10.30	MM403SL.10.30	500	3012	1586	940	1000	29	100	131	237	57

#### ANCHORING SYSTEMS



**Aluminium tab (standard):** The advantage of this anchoring system lies in the fact that the tab can be positioned along a large portion of the event & removal ramp's width, and can turn inside the head connection into which it has been inserted. The system comes with end caps for the head to prevent the tab disconnecting from the event & removal ramp during use.



**Steel pin (on request):** A galvanised steel pin with a diameter of 14 mm and a 24-mm-diameter head can be inserted through the holes in the standard head connection of the event & removal ramp and the loading bed.

#### HANDLING SYSTEMS



**Nylon handles (on request):** The product can be supplied with robust nylon handles to facilitate handling. Available in lengths of 30 cm and 60 cm, according to the model of the product selected.

Recommended nylon handles for manual handling: 4 pcs each event ramp. Recommended nylon handles for handling by lifting equipment: 2 pcs minimum each event ramp.

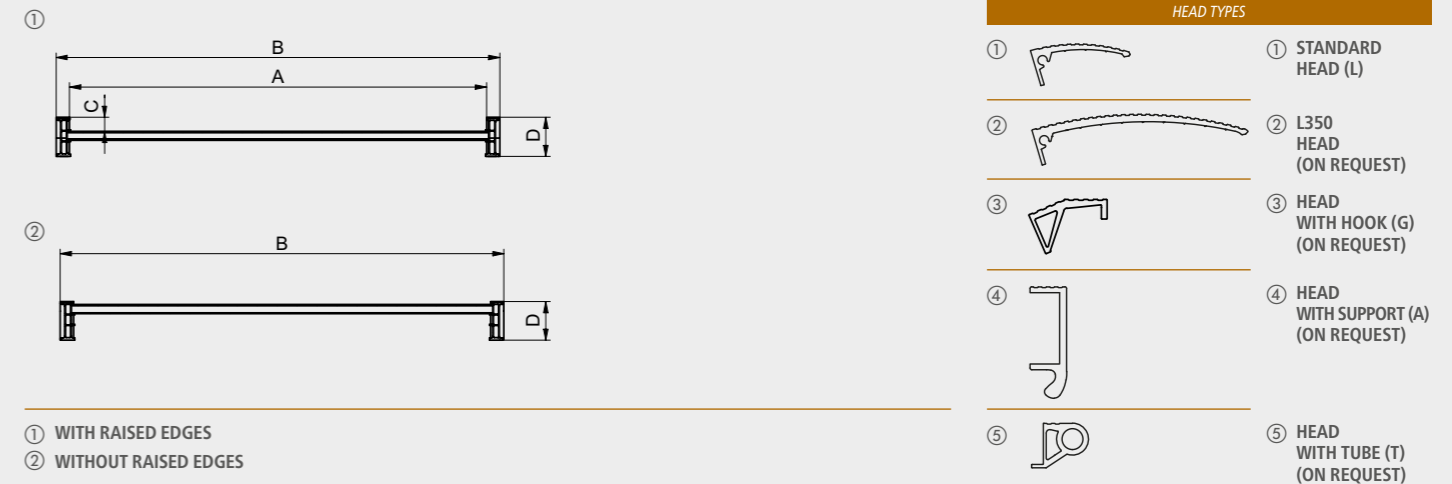
PRODUCT FAMILY:

### MPCP

MAX. LOADING CAPACITY:

### 2.000 kg

This innovative type of event & removal ramp is particularly suited to any sector that uses electric pallet trucks for loading and unloading work thanks to its high loading capacity and the outstanding grip of its driving surface. Logistics and manufacturing companies are just a few examples of potential users of this product range. The range is made with or without raised edges and the product is supplied with the required anchoring tabs.



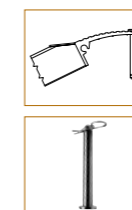
① WITH RAISED EDGES  
② WITHOUT RAISED EDGES

Model	Item code		Loading capacity kg with 1000 mm wheelbase	Standard length L mm	Internal width A mm	External width B mm	Height of raised edge C mm	Height of ramp profile D mm	Weight per piece kg
	with raised edges	without raised edges							
MPCP1800.1000.2000	MM411BL.10.18	MM411SL.10.18	2000	1791	940	1000	29	115	34
MPCP2000.1000.2000	MM411BL.10.20	MM411SL.10.20	2000	1991	940	1000	29	115	38
MPCP2400.1000.2000	MM411BL.10.24	MM411SL.10.24	2000	2391	940	1000	30	125	47
MPCP2600.1000.2000	MM411BL.10.26	MM411SL.10.26	2000	2591	940	1000	30	125	51
MPCP3000.1000.2000	MM411BL.10.30	MM411SL.10.30	2000	2991	940	1000	31	140	60
MPCP3600.1000.2000	MM411BL.10.36	MM411SL.10.36	2000	3591	940	1000	42	150	77
MPCP4000.1000.2000	MM411BL.10.40	MM411SL.10.40	2000	3991	940	1000	43	160	89
MPCP4400.1000.2000	MM411BL.10.44	MM411SL.10.44	2000	4391	940	1000	43	170	101

#### ANCHORING SYSTEMS



**Aluminium tab (standard):** The advantage of this anchoring system lies in the fact that the tab can be positioned along a large portion of the event & removal ramp's width, and can turn inside the head connection into which it has been inserted. The system comes with end caps for the head to prevent the tab disconnecting from the event & removal ramp during use.



**Steel pin (on request):** A galvanised steel pin with a diameter of 14 mm and a 24-mm-diameter head can be inserted through the holes in the standard head connection of the event & removal ramp and the loading bed.

#### HANDLING SYSTEMS



**Nylon handles (on request):** The product can be supplied with robust nylon handles to facilitate handling. Available in lengths of 30 cm and 60 cm, according to the model of the product selected.

Recommended nylon handles for manual handling: 4 pcs each event ramp. Recommended nylon handles for handling by lifting equipment: 2 pcs minimum each event ramp.

# LOADING RAMPS

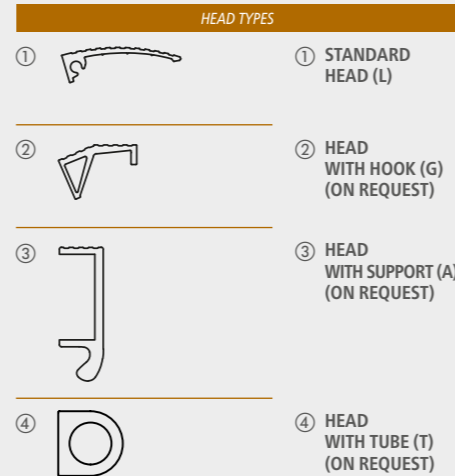
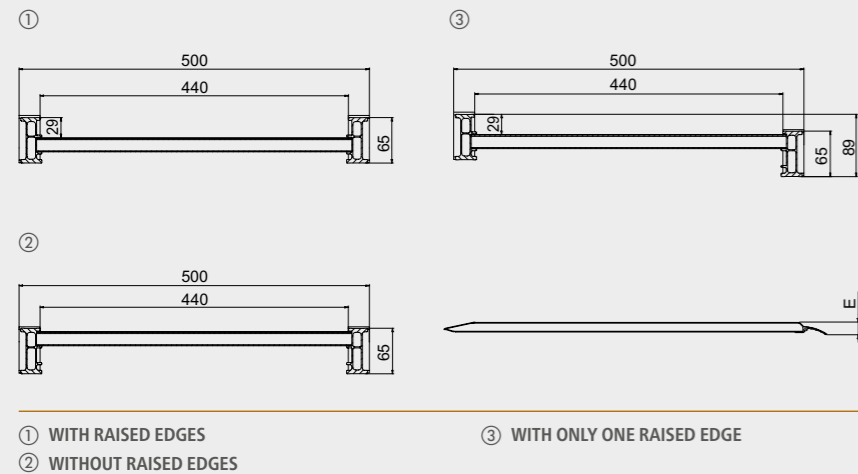
PRODUCT FAMILY:

**MPCL**

MAX. LOADING CAPACITY PER PAIR:

**3.000 kg**

This range of ramps, made with a special non-slip driving surface, can be used individually or in pairs and is particularly suitable for moving small equipment with rubber wheels or tracks. The range is available with different types of head connections depending on the use and is made with raised edges, without raised edges or with only one raised edge. The product is supplied with the required anchoring tabs.



Model	Item code		Loading capacity per pair kg with 1000 mm wheelbase	Individual loading capacity kg with 1000 mm wheelbase	Standard length mm	Length with head type ② mm	Length with head type ③ mm	Length with head type ④ mm	Standard ramp dimension with raised edges E mm	Standard ramp dimension without raised edges E mm	Weight per pair kg
	with raised edges	without raised edges									
MPCL065/16	MM430BL.50.16	MM430SL.50.16	3000	1500	1591	1541	1443	1485	88	72	29
MPCL065/18	MM430BL.50.18	MM430SL.50.18	2000	1000	1791	1741	1643	1685	88	72	32
MPCL065/20	MM430BL.50.20	MM430SL.50.20	2000	1000	1991	1941	1843	1885	88	72	35
MPCL065/24	MM430BL.50.24	MM430SL.50.24	1300	650	2391	2341	2243	2285	88	72	42
MPCL065/26	MM430BL.50.26	MM430SL.50.26	1300	650	2591	2541	2443	2485	88	72	45
MPCL065/30	MM430BL.50.30	MM430SL.50.30	1000	500	2991	2941	2843	2885	88	72	51
MPCL065/36	MM430BL.50.36	MM430SL.50.36	800	400	3591	3541	3443	3485	88	72	61
MPCL065/40	MM430BL.50.40	MM430SL.50.40	660	330	3991	3941	3843	3885	88	72	67

Minimum width of the wheel or track 100 mm. Maximum width of the wheel or track 420 mm.

The range is available with only one raised edge.

## ANCHORING SYSTEMS



**Aluminium tab (standard):** The advantage of this anchoring system lies in the fact that the tab can be positioned along a large portion of the ramp's width, and can turn inside the head connection into which it has been inserted. The system comes with end caps for the head to prevent the tab disconnecting from the ramp during use.



**Steel pin (on request):** A galvanised steel pin with a diameter of 14 mm and a 24-mm-diameter head can be inserted through the holes in the standard head connection of the ramp and the loading bed.

## HANDLING SYSTEMS



**Nylon handles (on request):** The product can be supplied with robust nylon handles to facilitate handling. Available in lengths of 30 cm and 60 cm, according to the model of the product selected.

Recommended nylon handles for manual handling: 4 pcs each ramp. Recommended nylon handles for handling by lifting equipment: 2 pcs minimum each ramp.

# LOADING RAMPS

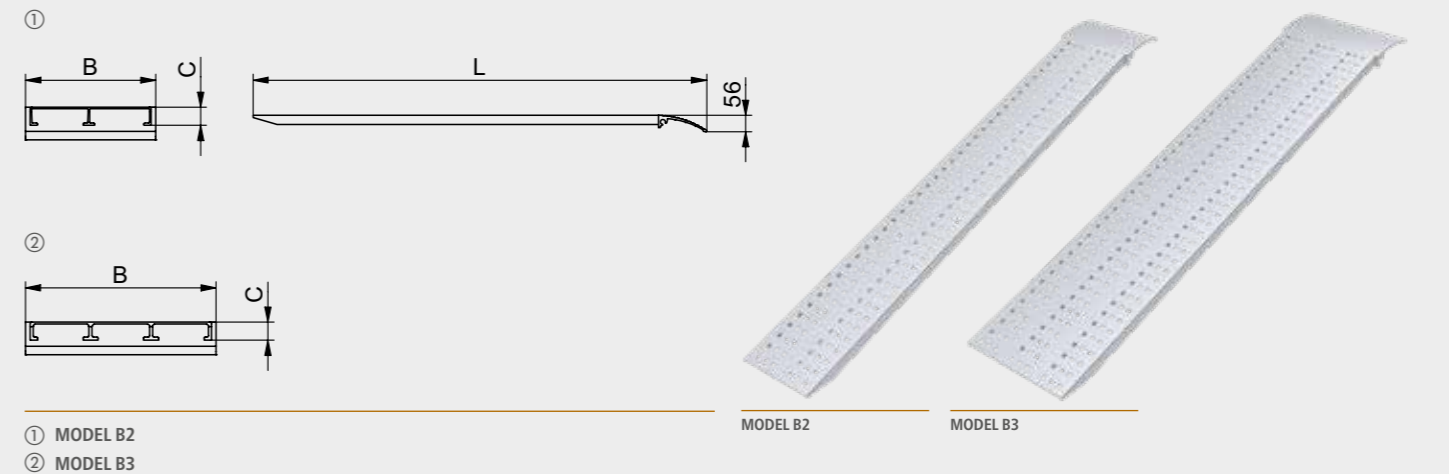
PRODUCT FAMILY:

**HLS HS STRAIGHT AND CURVED**

MAX. LOADING CAPACITY PER PAIR:

**1.000 kg**

This range of products has been conceived, developed and manufactured for all users who need to combine good loading capacity with a lightweight, easy-to-handle product for non-professional applications. The unique holes in the aluminium profile give the ramps both outstanding grip and the ability to easily drain troublesome elements such as water and snow. The features of these products are particularly beneficial in the DIY/hobby sector, lending themselves to any loading or unloading work involving equipment with rubber wheels, such as hand-pushed trolleys, lawnmowers, motorcycles, quad bikes, etc. The curved range provides the same performance as the straight range, but is particularly suitable for use with vehicles that have limited space between their underside and the ground (often due to having small wheels), allowing the user to clear heights of up to 900 mm without obstruction.

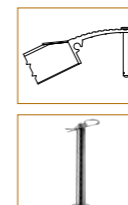


Model	Item code	Loading capacity per pair kg					Length L mm	External width B mm	Height of ramp profile C mm	Min./max. loading height	Weight per pair kg
		Wheelbase									
		0 mm	500 mm	750 mm	1000 mm	1250 mm					
M030B2HLS/15	MM010S0.20.15	350	425	500	600	600	1500	215	30	350 / 450	8,0
M030B2HLS/20	MM010S0.20.20	230	280	350	400	500	1990	215	30	460 / 600	10,0
M030B2HS/15	MM012S0.20.15	500	600	650	700	700	1500	215	30	350 / 450	10,5
M030B2HS/20	MM012S0.20.20	400	550	600	650	700	1990	215	30	460 / 600	14,0
M030B3HS/15	MM014S0.30.15	800	1000	1000	1000	1000	1500	315	30	350 / 450	16,0
M030B3HS/20	MM014S0.30.20	650	780	900	1000	1000	1990	315	30	460 / 600	21,0
M030B3HS/25	MM014S0.30.25	500	600	700	800	1000	2510	315	30	610 / 750	26,0
M040B3HS/30	MM016S0.30.30	700	800	900	1000	1000	3000	315	40	760 / 900	36,0

## ANCHORING SYSTEMS



**Aluminium tab (on request):** The advantage of this anchoring system lies in the fact that the tab can be positioned along a large portion of the ramp's width, and can turn inside the head connection into which it has been inserted. The system comes with end caps for the head to prevent the tab disconnecting from the ramp during use.



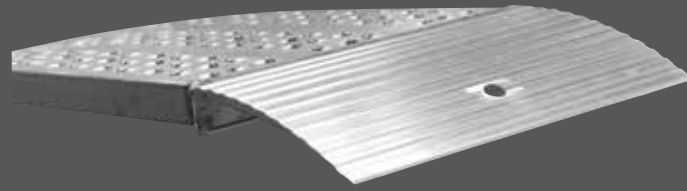
**Steel pin (on request):** A galvanised steel pin with a diameter of 14 mm and a 24-mm-diameter head can be inserted through the holes in the standard head connection of the ramp and the loading bed.

## HANDLING SYSTEMS



**Nylon handles (on request):** The product can be supplied with robust nylon handles to facilitate handling. Available in lengths of 30 cm and 60 cm, according to the model of the product selected.

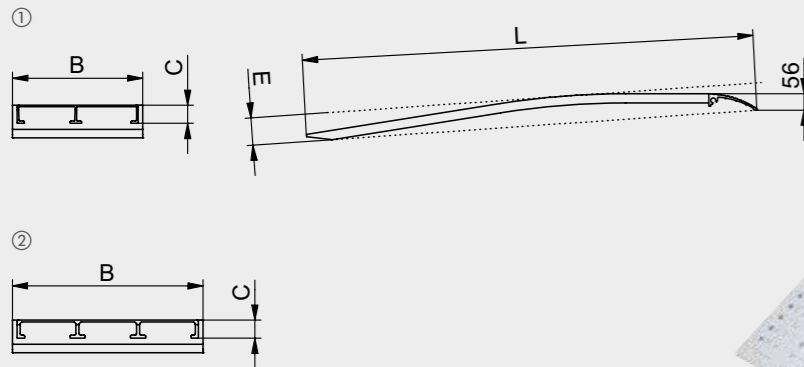
Recommended nylon handles for manual handling: 4 pcs each ramp. Recommended nylon handles for handling by lifting equipment: 2 pcs minimum each ramp.



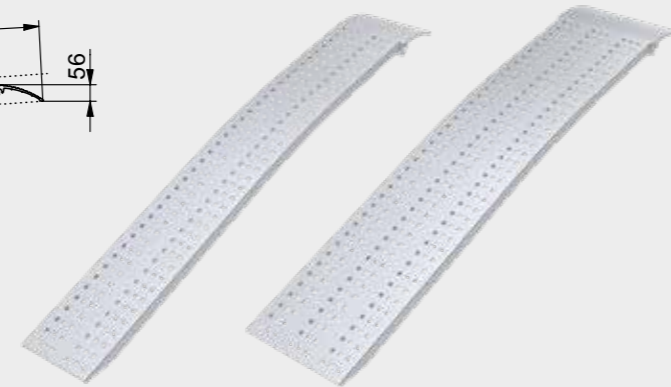
PRODUCT FAMILY:  
**M050**

MAX. LOADING CAPACITY  
PER PAIR:  
**1.500 kg**

These aluminium ramps offer an excellent compromise between high load capacity and low weight. They are robust, easy to handle and have a non-slip surface, obtained through coining. With an internal width of 155 mm and 45 mm high raised containment edges, these ramps are particularly suitable for the safe loading and unloading of motorcycles, electric generators, compressors and other items of equipment. To optimise transport, this range of ramps can be supplied either as the hinged, folding version or as the bayonet coupling version. With the hinged, folding version, the loading capacity reduces to 300 kg per pair for all lengths.

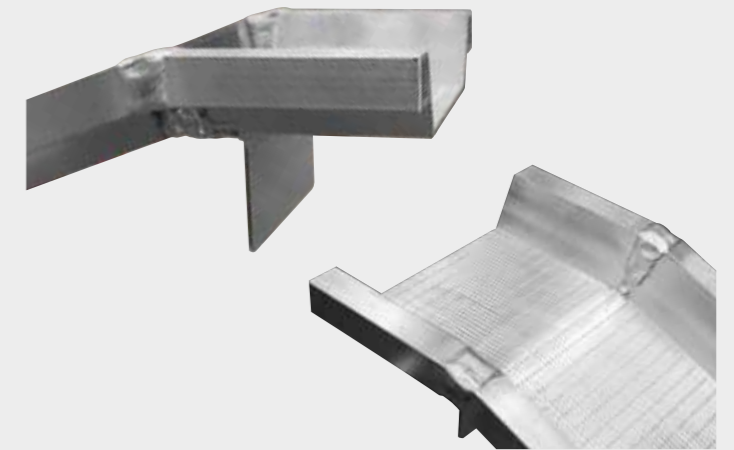
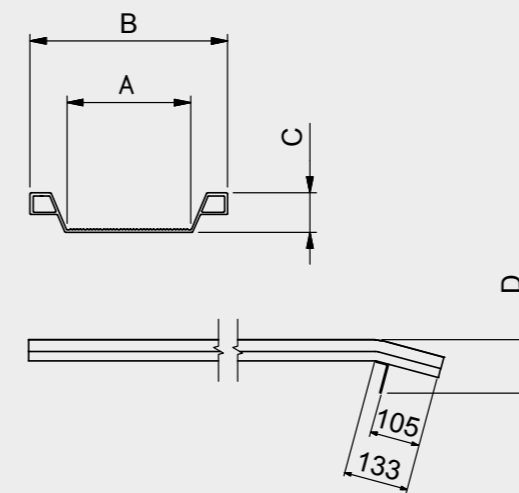


MODEL B2



MODEL B3

- ① MODEL B2
- ② MODEL B3

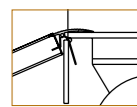


Model	Item code	Loading capacity per pair kg					Length L mm	External width B mm	Height of ramp profile C mm	Min./max. loading height	Overall ramp dimensions E mm	Weight per pair kg
		0 mm	500 mm	750 mm	1000 mm	1250 mm						
M030B2BHLS/15	MM01150.20.15	280	320	400	540	540	1492	215	30	260 / 380	90	8,0
M030B2BHLS/20	MM01150.20.20	200	225	280	360	450	1980	215	30	390 / 520	104	10,0
M030B2BHS/15	MM01350.20.15	400	450	520	560	600	1492	215	30	260 / 380	90	10,5
M030B2BHS/20	MM01350.20.20	320	400	480	540	580	1980	215	30	390 / 520	104	14,0
M030B3BHS/15	MM01550.30.15	640	750	850	950	1000	1492	315	30	260 / 380	90	16,0
M030B3BHS/20	MM01550.30.20	520	580	720	900	1000	1980	315	30	390 / 520	104	21,0
M030B3BHS/25	MM01550.30.25	400	450	560	720	850	2499	315	30	530 / 650	115	26,0
M040B3BHS/30	MM01750.30.30	560	600	720	900	1000	2988	315	40	660 / 800	122	36,0

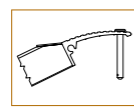
Model	Item code	Loading capacity per pair kg			Length mm	Internal width A mm	External width B mm	Height of raised edge C mm	Overall ramp dimensions D mm	Weight per pair kg
		0 mm	500 mm	1000 mm						
M050/10	MM050B0.25.10	800	1500	1500	1000	155	246	45	100	9
M050/15	MM050B0.25.15	800	1479	1500	1500	155	246	45	100	13
M050/20	MM050B0.25.20	739	986	1479	2000	155	246	45	100	17
M050/25	MM050B0.25.25	532	665	887	2500	155	246	45	100	20
M050/30	MM050B0.25.30	419	503	628	3000	155	246	45	100	24
M050/35	MM050B0.25.35	346	404	485	3500	155	246	45	100	28

With the hinged, folding version, the loading capacity reduces to 300 kg per pair for all lengths.

## ANCHORING SYSTEMS



**Aluminium tab (on request):** The advantage of this anchoring system lies in the fact that the tab can be positioned along a large portion of the ramp's width, and can turn inside the head connection into which it has been inserted. The system comes with end caps for the head to prevent the tab disconnecting from the ramp during use.



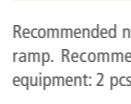
**Steel pin (on request):** A galvanised steel pin with a diameter of 14 mm and a 24-mm-diameter head can be inserted through the holes in the standard head connection of the ramp and the loading bed.



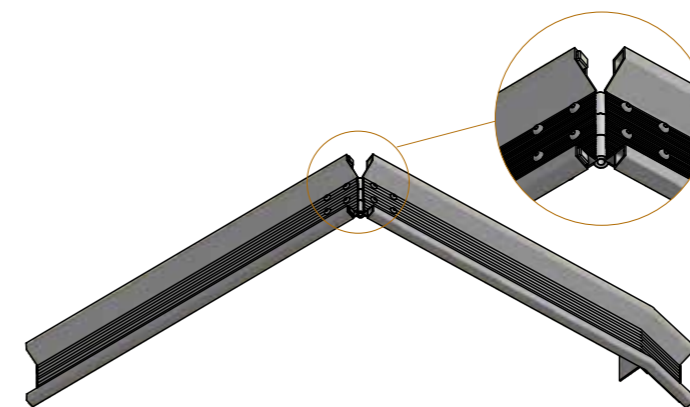
## HANDLING SYSTEMS



**Nylon handles (on request):** The product can be supplied with robust nylon handles to facilitate handling. Available in lengths of 30 cm and 60 cm, according to the model of the product selected.



Recommended nylon handles for manual handling: 4 pcs each ramp. Recommended nylon handles for handling by lifting equipment: 2 pcs minimum each ramp.



HINGED VERSION (ON REQUEST)



BAYONET COUPLING VERSION (ON REQUEST)

# LOADING RAMPS

## M030B2

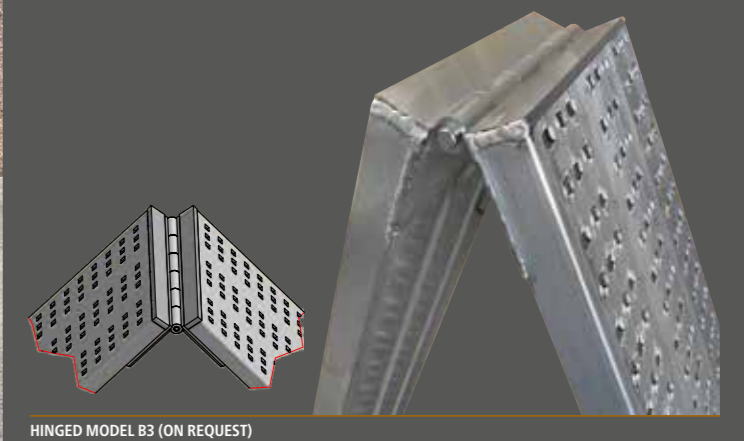
# LOADING RAMPS

## M030B3

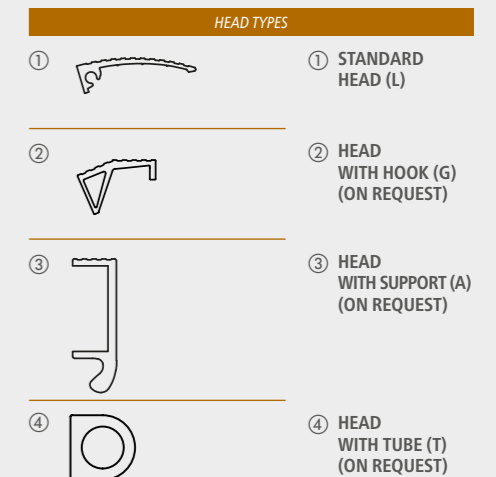
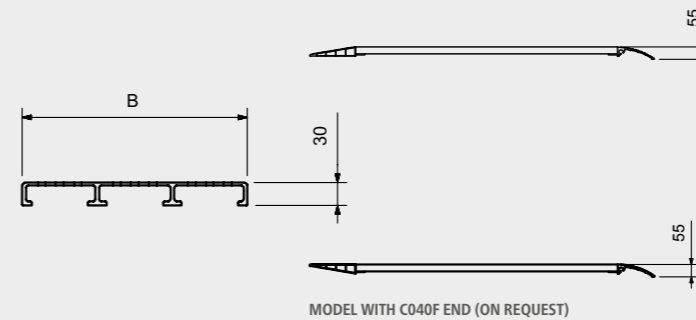
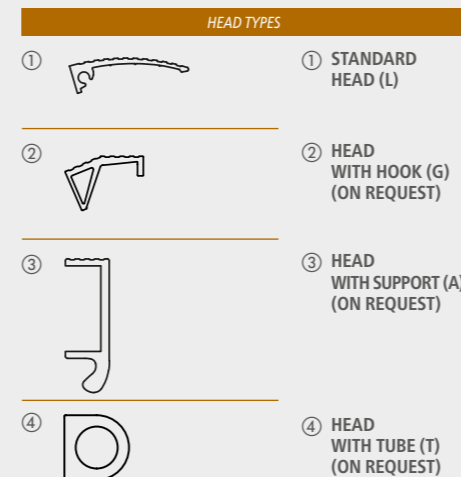
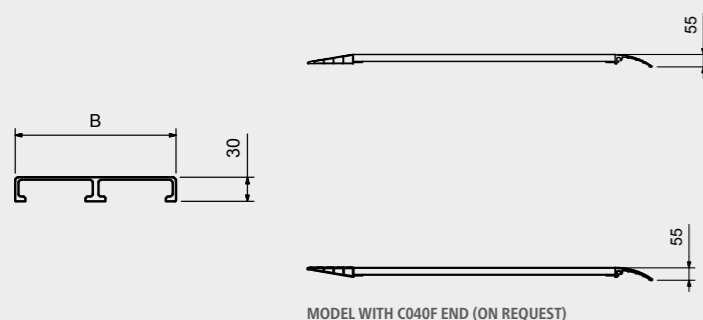
PRODUCT FAMILY:  
**M030 M040**

MAX. LOADING CAPACITY  
PER PAIR:  
**2.900 kg**

This range has been designed to provide maximum loading capacity alongside a very thin profile. The unique holes in the aluminium profile give the ramp both outstanding grip and the ability to easily drain troublesome elements such as water, mud and snow. Thanks to the option of mounting different types of head connections, these ramps lend themselves to various fields of use, from agriculture to construction, logistics to vehicle recovery applications. The range is made without raised edges and the product is supplied with the required anchoring tabs. To optimise transport, this range of ramps can be supplied as the hinged, folding version. Users who do not want any inconsistency in slope between the bottom end of the ramp and the ramp's working surface can request that the product be supplied with a C040F-type end, which addresses this issue.



HINGED MODEL B3 (ON REQUEST)



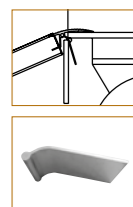
Model	Item code	Loading capacity per pair kg			Length mm	External width B mm	Weight per pair kg
		500 mm	750 mm	1000 mm			
M030B2/15	MM030SL.20.15	830	1107	1580	1500	215	13
M030B2/20	MM030SL.20.20	553	664	830	2000	215	16
M030B2/25	MM030SL.20.25	415	474	553	2500	215	19
M030B2/30	MM030SL.20.30	315	350	394	3000	215	23
M030B2/35	MM030SL.20.35	249	271	298	3500	215	26
M030B2/40	MM030SL.20.40	201	216	235	4000	215	29
M030B2/15/2	MM030SL.40.15	1660	2214	2900	1500	415	24
M030B2/20/2	MM030SL.40.20	1106	1328	1660	2000	415	30
M030B2/25/2	MM030SL.40.25	830	948	1106	2500	415	37
M030B2/30/2	MM030SL.40.30	630	701	788	3000	415	44
M030B2/35/2	MM030SL.40.35	498	543	597	3500	415	50
M030B2/40/2	MM030SL.40.40	402	433	470	4000	415	57

Hinged version: 200 kg per pair for all M030B2 models.

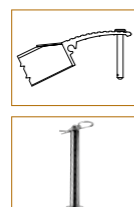
Model	Item code	Loading capacity per pair kg			Length mm	External width B mm	Weight per pair kg
		500 mm	750 mm	1000 mm			
M030B3/15	MM035SL.30.15	1178	1570	2355	1500	315	18
M030B3/20	MM035SL.30.20	785	942	1178	2000	315	23
M030B3/25	MM035SL.30.25	589	673	785	2500	315	28
M030B3/30	MM035SL.30.30	447	496	559	3000	315	33
M030B3/35	MM035SL.30.35	353	385	423	3500	315	38
M030B3/40	MM035SL.30.40	285	307	334	4000	315	43
M030B3/15/2	MM035SL.60.15	2356	2900	2900	1500	615	35
M030B3/20/2	MM035SL.60.20	1570	1884	2356	2000	615	45
M030B3/25/2	MM035SL.60.25	1178	1346	1570	2500	615	55
M030B3/30/2	MM035SL.60.30	894	993	1119	3000	615	65
M030B3/35/2	MM035SL.60.35	707	770	847	3500	615	75
M030B3/40/2	MM035SL.60.40	571	615	668	4000	615	85

Hinged version: 400 kg per pair for all M030B3 models except for the M030B3/35 and M030B3/40 models for which the lower loading capacity in the table must be considered.

### ANCHORING SYSTEMS

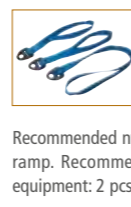


**Aluminium tab (standard):** The advantage of this anchoring system lies in the fact that the tab can be positioned along a large portion of the ramp's width, and can turn inside the head connection into which it has been inserted. The system comes with end caps for the head to prevent the tab disconnecting from the ramp during use.



**Steel pin (on request):** A galvanised steel pin with a diameter of 14 mm and a 24-mm-diameter head can be inserted through the holes in the standard head connection of the ramp and the loading bed.

### HANDLING SYSTEMS



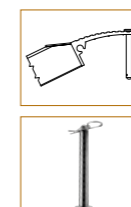
**Nylon handles (on request):** The product can be supplied with robust nylon handles to facilitate handling. Available in lengths of 30 cm and 60 cm, according to the model of the product selected.

Recommended nylon handles for manual handling: 4 pcs each ramp. Recommended nylon handles for handling by lifting equipment: 2 pcs minimum each ramp.

### ANCHORING SYSTEMS

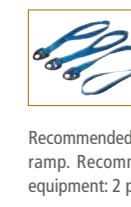


**Aluminium tab (standard):** The advantage of this anchoring system lies in the fact that the tab can be positioned along a large portion of the ramp's width, and can turn inside the head connection into which it has been inserted. The system comes with end caps for the head to prevent the tab disconnecting from the ramp during use.



**Steel pin (on request):** A galvanised steel pin with a diameter of 14 mm and a 24-mm-diameter head can be inserted through the holes in the standard head connection of the ramp and the loading bed.

### HANDLING SYSTEMS



**Nylon handles (on request):** The product can be supplied with robust nylon handles to facilitate handling. Available in lengths of 30 cm and 60 cm, according to the model of the product selected.

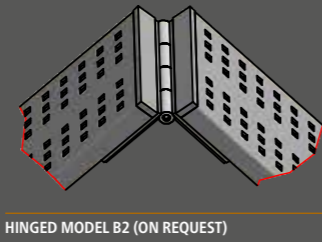
Recommended nylon handles for manual handling: 4 pcs each ramp. Recommended nylon handles for handling by lifting equipment: 2 pcs minimum each ramp.

# LOADING RAMPS

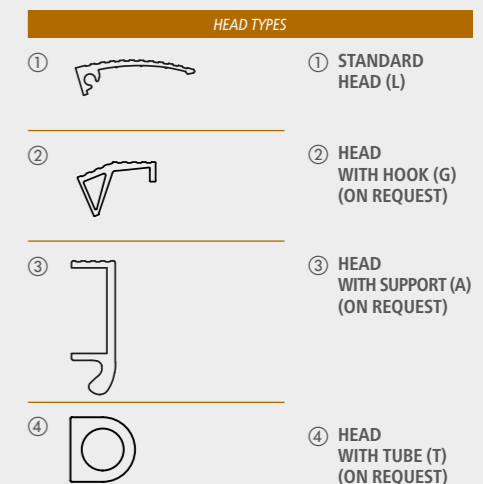
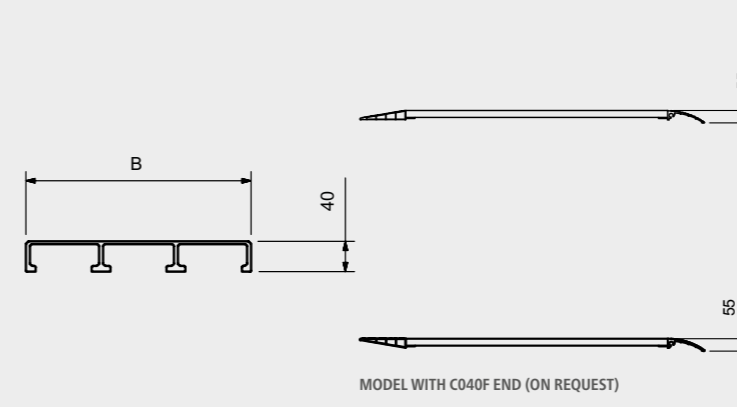
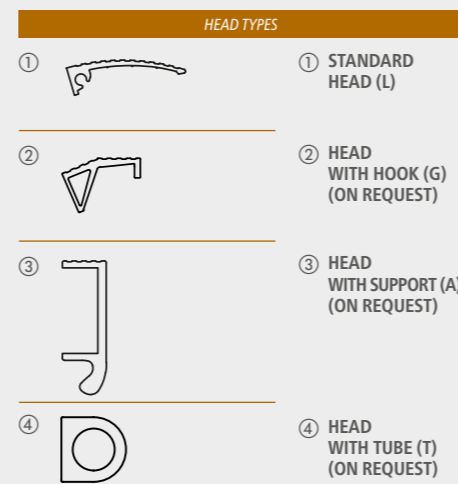
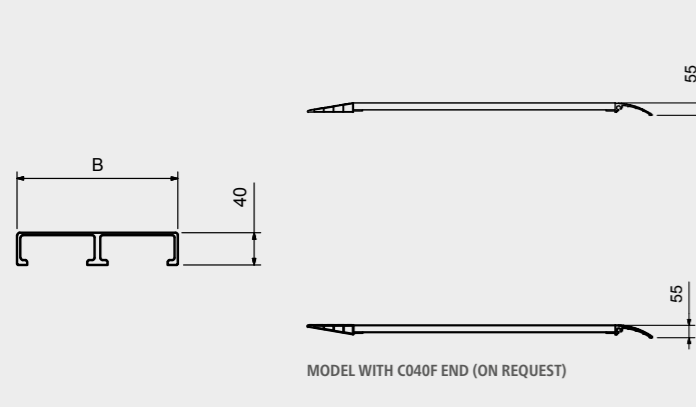
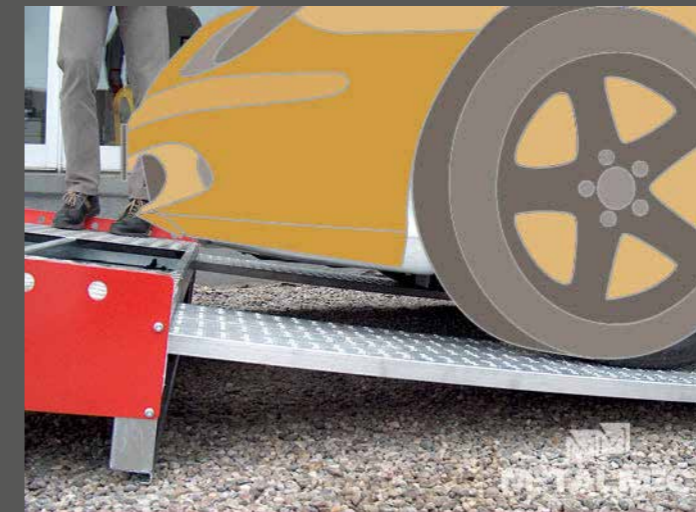
# M040B2

# LOADING RAMPS

# M040B3



HINGED MODEL B2 (ON REQUEST)



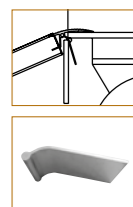
Model	Item code	Loading capacity per pair kg			Length mm	External width B mm	Weight per pair kg
		500 mm	750 mm	1000 mm			
M040B2/15	MM040SL.20.15	1259	1580	1580	1500	215	14
M040B2/20	MM040SL.20.20	839	1007	1259	2000	215	18
M040B2/25	MM040SL.20.25	630	719	839	2500	215	22
M040B2/30	MM040SL.20.30	478	532	598	3000	215	25
M040B2/35	MM040SL.20.35	378	412	453	3500	215	29
M040B2/40	MM040SL.20.40	306	328	357	4000	215	33
M040B2/15/2	MM040SL.40.15	2518	2900	2900	1500	415	26
M040B2/20/2	MM040SL.40.20	1678	2014	2518	2000	415	33
M040B2/25/2	MM040SL.40.25	1260	1438	1678	2500	415	41
M040B2/30/2	MM040SL.40.30	957	1064	1197	3000	415	48
M040B2/35/2	MM040SL.40.35	756	824	907	3500	415	56
M040B2/40/2	MM040SL.40.40	612	657	714	4000	415	63

Hinged version: 300 kg per pair for all M040B2 models.

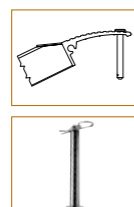
Model	Item code	Loading capacity per pair kg			Length mm	External width B mm	Weight per pair kg
		500 mm	750 mm	1000 mm			
M040B3/15	MM045SL.30.15	2132	2370	2370	1500	315	21
M040B3/20	MM045SL.30.20	1421	1705	2132	2000	315	27
M040B3/25	MM045SL.30.25	1066	1218	1421	2500	315	33
M040B3/30	MM045SL.30.30	810	899	1012	3000	315	39
M040B3/35	MM045SL.30.35	639	697	767	3500	315	45
M040B3/40	MM045SL.30.40	517	557	604	4000	315	51
M040B3/15/2	MM045SL.60.15	2900	2900	2900	1500	615	40
M040B3/20/2	MM045SL.60.20	2842	2900	2900	2000	615	52
M040B3/25/2	MM045SL.60.25	2132	2436	2842	2500	615	64
M040B3/30/2	MM045SL.60.30	1620	1799	2025	3000	615	76
M040B3/35/2	MM045SL.60.35	1279	1395	1535	3500	615	88
M040B3/40/2	MM045SL.60.40	1035	1115	1208	4000	615	100

Hinged version: 500 kg per pair for all M040B3 models.

## ANCHORING SYSTEMS



**Aluminium tab (standard):** The advantage of this anchoring system lies in the fact that the tab can be positioned along a large portion of the ramp's width, and can turn inside the head connection into which it has been inserted. The system comes with end caps for the head to prevent the tab disconnecting from the ramp during use.



**Steel pin (on request):** A galvanised steel pin with a diameter of 14 mm and a 24-mm-diameter head can be inserted through the holes in the standard head connection of the ramp and the loading bed.

## HANDLING SYSTEMS



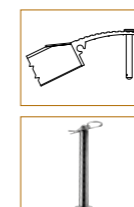
**Nylon handles (on request):** The product can be supplied with robust nylon handles to facilitate handling. Available in lengths of 30 cm and 60 cm, according to the model of the product selected.

Recommended nylon handles for manual handling: 4 pcs each ramp. Recommended nylon handles for handling by lifting equipment: 2 pcs minimum each ramp.

## ANCHORING SYSTEMS



**Aluminium tab (standard):** The advantage of this anchoring system lies in the fact that the tab can be positioned along a large portion of the ramp's width, and can turn inside the head connection into which it has been inserted. The system comes with end caps for the head to prevent the tab disconnecting from the ramp during use.



**Steel pin (on request):** A galvanised steel pin with a diameter of 14 mm and a 24-mm-diameter head can be inserted through the holes in the standard head connection of the ramp and the loading bed.

## HANDLING SYSTEMS



**Nylon handles (on request):** The product can be supplied with robust nylon handles to facilitate handling. Available in lengths of 30 cm and 60 cm, according to the model of the product selected.

Recommended nylon handles for manual handling: 4 pcs each ramp. Recommended nylon handles for handling by lifting equipment: 2 pcs minimum each ramp.

# LOADING RAMPS

# M060B3

PRODUCT FAMILY:

## M060

MAX. LOADING CAPACITY PER PAIR:

## 4.500 kg

This range has been conceived to meet the needs of those who need to move heavy equipment and vehicles but also require a self-cleaning contact surface with excellent grip. The innovative, thin, extruded and cut profile used in the production of these ramps gives the product these characteristics that are particularly valued by light trailer manufacturers. Vehicles and equipment with rubber wheels or tracks can be moved in any weather conditions and in complete safety. The range is made without raised edges. Various types of head connection can be assembled on request and the product is supplied with the required anchoring tabs.



# LOADING RAMPS

# M055

PRODUCT FAMILY:

## M055 M065 M074 M085 M076

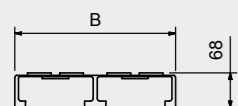
MAX. LOADING CAPACITY PER PAIR:

## 3.500 kg



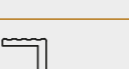

This wide range of compact and space-saving ramps is particularly suitable for moving rubber-wheeled vehicles used in various sectors, from agriculture to gardening and construction to earth moving, such as: mini tractors, mini excavators, mini dumpers, etc. Available with different types of head connections, they are perfectly suited to light trailers' housings.

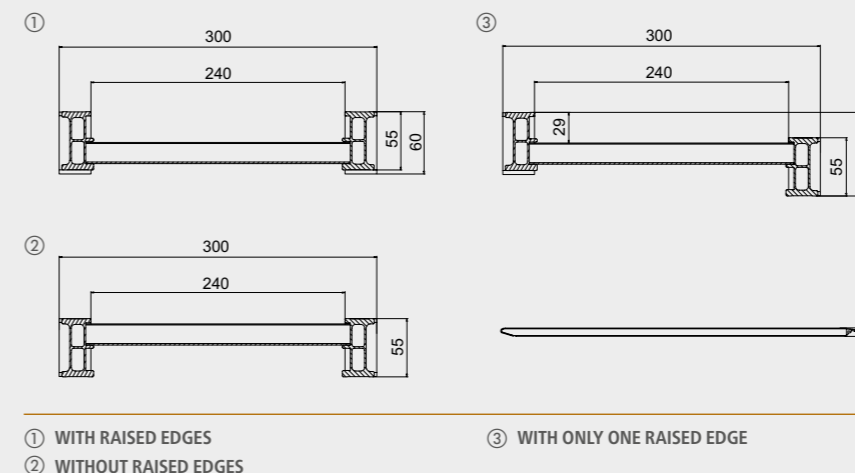
The range is made with raised edges, without raised edges or with only one raised edge and the product is supplied with the required anchoring tabs.

Upon request, the range without raised edges can be supplied with a vulcanized rubber covering for the specific handling of compactor rollers and vehicles with steel tracks.







### HEAD TYPES

- ①  ① STANDARD HEAD (L)
- ②  ② HEAD WITH HOOK (G) (ON REQUEST)
- ③  ③ HEAD WITH SUPPORT (A) (ON REQUEST)
- ④  ④ HEAD WITH TUBE (T) (ON REQUEST)



### HEAD TYPES

- ①  ① STANDARD HEAD (L)
- ②  ② HEAD WITH HOOK (G) (ON REQUEST)
- ③  ③ HEAD WITH SUPPORT (A) (ON REQUEST)
- ④  ④ HEAD WITH TUBE (T) (ON REQUEST)

Model	Item code	Loading capacity per pair kg			Length mm	External width B mm	Weight per pair kg
		1000 mm	1250 mm	1500 mm			
M060B3/15	MM060SL.30.15	4500	4500	4500	1500	315	22
M060B3/20	MM060SL.30.20	3300	3900	4500	2000	315	29
M060B3/25	MM060SL.30.25	2400	3000	3400	2500	315	33
M060B3/30	MM060SL.30.30	1705	2000	2250	3000	315	40
M060B3/35	MM060SL.30.35	1200	1350	1500	3500	315	47
M060B3/40	MM060SL.30.40	1000	1100	1200	4000	315	54

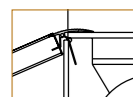
Minimum width of the wheel or track 150 mm.

Model	Item code		Loading capacity per pair kg			Standard length mm	Length with head type ② mm	Length with head type ③ mm	Length with head type ④ mm	Standard ramp dimension with raised edge E mm	Standard ramp dimension without raised edges mm	Weight per pair kg
	with raised edges	without raised edges	1000 mm	1250 mm	1500 mm							
M055/15	MM055BL.30.15	MM055SL.30.15	2500	2500	2500	1495	1444	1346	1388	83	59	15
M055/20	MM055BL.30.20	MM055SL.30.20	1500	2000	2500	1995	1944	1846	1888	83	59	20
M055/25	MM055BL.30.25	MM055SL.30.25	1000	1200	1500	2495	2444	2346	2388	83	59	25
M055/30	MM055BL.30.30	MM055SL.30.30	750	850	1000	2995	2944	2846	2888	83	59	29
M055/35	MM055BL.30.35	MM055SL.30.35	600	660	750	3495	3444	3346	3388	83	59	34
M055/40	MM055BL.30.40	MM055SL.30.40	500	540	600	3995	3944	3846	3888	83	59	39

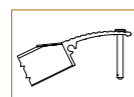
Minimum width of the wheel or track 150 mm. Maximum width of the wheel or track 220 mm.

The range is available with only one raised edge.

### ANCHORING SYSTEMS



**Aluminium tab (standard):** The advantage of this anchoring system lies in the fact that the tab can be positioned along a large portion of the ramp's width, and can turn inside the head connection into which it has been inserted. The system comes with end caps for the head to prevent the tab disconnecting from the ramp during use.



**Steel pin (on request):** A galvanised steel pin with a diameter of 14 mm and a 24-mm-diameter head can be inserted through the holes in the standard head connection of the ramp and the loading bed.



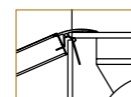
### HANDLING SYSTEMS



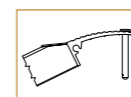
**Nylon handles (on request):** The product can be supplied with robust nylon handles to facilitate handling. Available in lengths of 30 cm and 60 cm, according to the model of the product selected.

Recommended nylon handles for manual handling: 4 pcs each ramp. Recommended nylon handles for handling by lifting equipment: 2 pcs minimum each ramp.

### ANCHORING SYSTEMS



**Aluminium tab (standard):** The advantage of this anchoring system lies in the fact that the tab can be positioned along a large portion of the ramp's width, and can turn inside the head connection into which it has been inserted. The system comes with end caps for the head to prevent the tab disconnecting from the ramp during use.



**Steel pin (on request):** A galvanised steel pin with a diameter of 14 mm and a 24-mm-diameter head can be inserted through the holes in the standard head connection of the ramp and the loading bed.

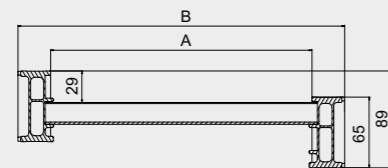
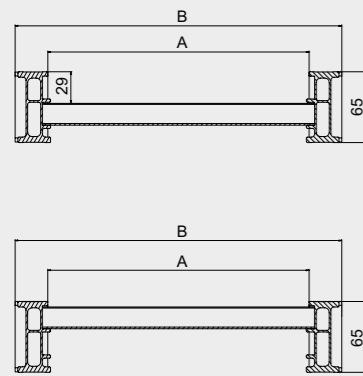


### HANDLING SYSTEMS



**Nylon handles (on request):** The product can be supplied with robust nylon handles to facilitate handling. Available in lengths of 30 cm and 60 cm, according to the model of the product selected.

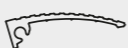



Recommended nylon handles for manual handling: 4 pcs each ramp. Recommended nylon handles for handling by lifting equipment: 2 pcs minimum each ramp.



① WITH RAISED EDGES  
② WITHOUT RAISED EDGES

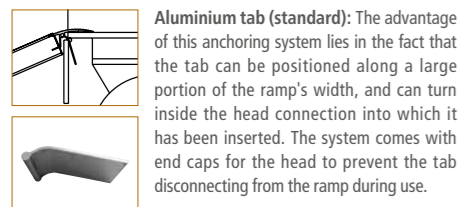
③ WITH ONLY ONE RAISED EDGE

### HEAD TYPES

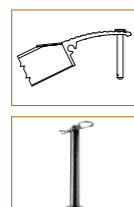
- ①  STANDARD HEAD (L)
- ②  HEAD WITH HOOK (G) (ON REQUEST)
- ③  HEAD WITH SUPPORT (A) (ON REQUEST)
- ④  HEAD WITH TUBE (T) (ON REQUEST)

Model	Item code		Loading capacity per pair kg			Standard length mm	Length with head type ② mm	Length with head type ③ mm	Length with head type ④ mm	Internal width A mm	External width B mm	Standard ramp dimension with raised edges E mm	Standard ramp dimension without raised edges mm	Weight per pair kg
	with raised edges	without raised edges	1000 mm	1250 mm	1500 mm									
M065/15	MM065BL.30.15	MM065SL.30.15	2700	2700	2700	1495	1444	1346	1388	240	300	83	67	17
M065/20	MM065BL.30.20	MM065SL.30.20	2000	2660	2700	1995	1944	1846	1888	240	300	83	67	22
M065/25	MM065BL.30.25	MM065SL.30.25	1330	1600	2000	2495	2444	2346	2388	240	300	83	67	27
M065/30	MM065BL.30.30	MM065SL.30.30	1000	1140	1330	2995	2944	2846	2888	240	300	83	67	32
M065/35	MM065BL.30.35	MM065SL.30.35	800	880	1000	3495	3444	3346	3388	240	300	83	67	37
M065/40	MM065BL.30.40	MM065SL.30.40	660	720	800	3995	3944	3846	3888	240	300	83	67	41
Minimum width of the wheel or track 150 mm. Maximum width of the wheel or track 220 mm.														
M065/15L	MM065BL.50.15	MM065SL.50.15	2450	2450	2450	1495	1444	1346	1388	440	500	83	67	24
M065/20L	MM065BL.50.20	MM065SL.50.20	2000	2450	2450	1995	1944	1846	1888	440	500	83	67	30
M065/25L	MM065BL.50.25	MM065SL.50.25	1330	1600	2000	2495	2444	2346	2388	440	500	83	67	37
M065/30L	MM065BL.50.30	MM065SL.50.30	1000	1140	1330	2995	2944	2846	2888	440	500	83	67	43
M065/35L	MM065BL.50.35	MM065SL.50.35	800	880	1000	3495	3444	3346	3388	440	500	83	67	50
M065/40L	MM065BL.50.40	MM065SL.50.40	660	720	800	3995	3944	3846	3888	440	500	83	67	56
Minimum width of the wheel or track 300 mm. Maximum width of the wheel or track 420 mm.														
The range is available with only one raised edge.														

### ANCHORING SYSTEMS



**Aluminium tab (standard):** The advantage of this anchoring system lies in the fact that the tab can be positioned along a large portion of the ramp's width, and can turn inside the head connection into which it has been inserted. The system comes with end caps for the head to prevent the tab disconnecting from the ramp during use.



**Steel pin (on request):** A galvanised steel pin with a diameter of 14 mm and a 24-mm-diameter head can be inserted through the holes in the standard head connection of the ramp and the loading bed.

### HANDLING SYSTEMS





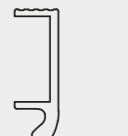

**Nylon handles (on request):** The product can be supplied with robust nylon handles to facilitate handling. Available in lengths of 30 cm and 60 cm, according to the model of the product selected.

Recommended nylon handles for manual handling: 4 pcs each ramp. Recommended nylon handles for handling by lifting equipment: 2 pcs minimum each ramp.

① WITH RAISED EDGES  
② WITHOUT RAISED EDGES

③ WITH ONLY ONE RAISED EDGE

### HEAD TYPES

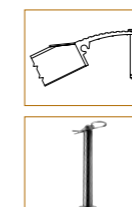
- ①  STANDARD HEAD (L)
- ②  HEAD WITH HOOK (G) (ON REQUEST)
- ③  HEAD WITH SUPPORT (A) (ON REQUEST)
- ④  HEAD WITH TUBE (T) (ON REQUEST)

Model	Item code		Loading capacity per pair kg			Standard length mm	Length with head type ② mm	Length with head type ③ mm	Length with head type ④** mm	Standard ramp dimension with raised edge E* mm	Weight per pair kg
	with raised edges	without raised edges	1000 mm	1250 mm	1500 mm						
M074/20	MM074BL.30.20	MM074SL.30.20	2510	3000	3000	1995	1944	1846	1910	91	24
M074/25	MM074BL.30.25	MM074SL.30.25	1670	2010	2510	2495	2444	2346	2410	91	29
M074/30	MM074BL.30.30	MM074SL.30.30	1250	1430	1670	2995	2944	2846	2910	91	34
M074/35	MM074BL.30.35	MM074SL.30.35	1000	1110	1250	3495	3444	3346	3410	91	40
M074/40	MM074BL.30.40	MM074SL.30.40	830	910	1000	3995	3944	3846	3910	91	45
M074/45	MM074BL.30.45	MM074SL.30.45	710	770	830	4495	4444	4346	4410	91	51
Minimum width of the wheel or track 150 mm. Maximum width of the wheel or track 220 mm.											
The range is available with only one raised edge.											
* Dimension E of the standard ramps without raised edges is the same as the height of the ramp profile.											
** The length with head connection type 4 of the ramps with raised edges is 22 mm shorter compared to the indicated measure.											

### ANCHORING SYSTEMS



**Aluminium tab (standard):** The advantage of this anchoring system lies in the fact that the tab can be positioned along a large portion of the ramp's width, and can turn inside the head connection into which it has been inserted. The system comes with end caps for the head to prevent the tab disconnecting from the ramp during use.



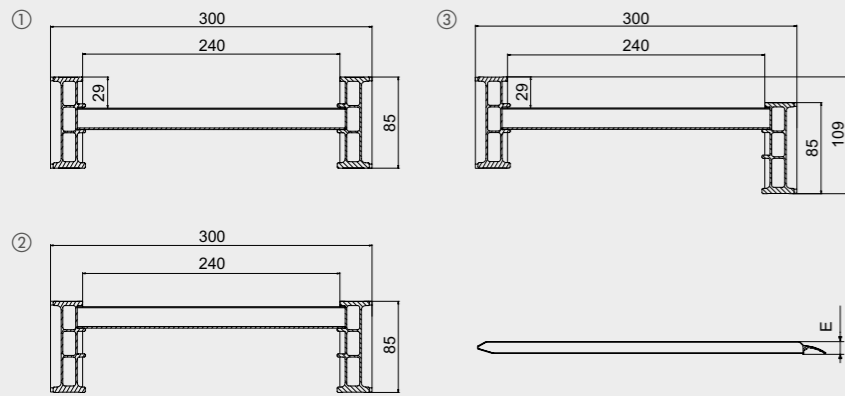
**Steel pin (on request):** A galvanised steel pin with a diameter of 14 mm and a 24-mm-diameter head can be inserted through the holes in the standard head connection of the ramp and the loading bed.

### HANDLING SYSTEMS

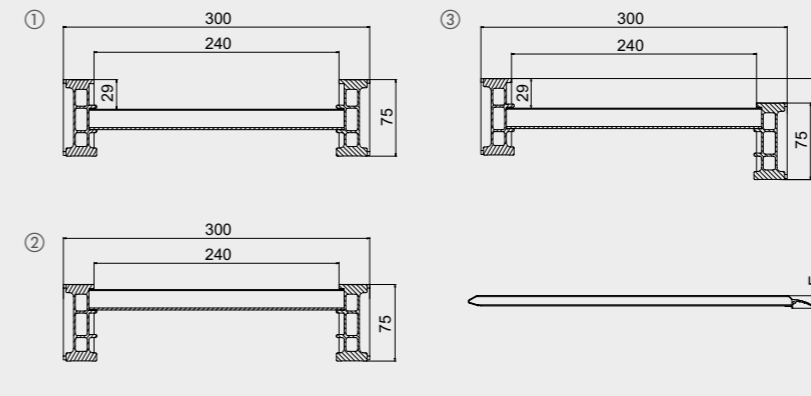
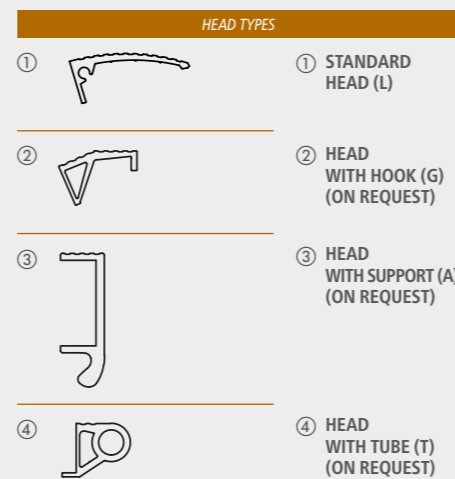


**Nylon handles (on request):** The product can be supplied with robust nylon handles to facilitate handling. Available in lengths of 30 cm and 60 cm, according to the model of the product selected.

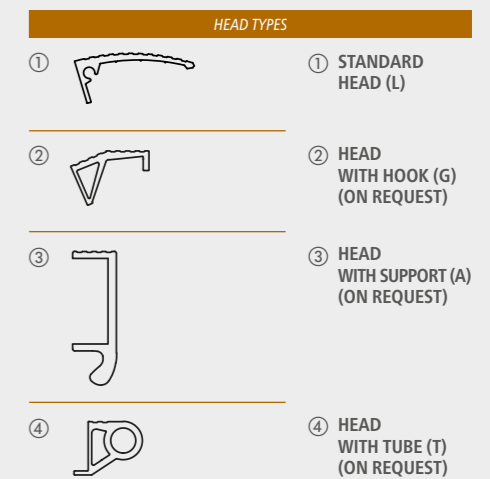
Recommended nylon handles for manual handling: 4 pcs each ramp. Recommended nylon handles for handling by lifting equipment: 2 pcs minimum each ramp.



① WITH RAISED EDGES  
② WITHOUT RAISED EDGES  
③ WITH ONLY ONE RAISED EDGE



① WITH RAISED EDGES  
② WITHOUT RAISED EDGES  
③ WITH ONLY ONE RAISED EDGE



Model	Item code		Loading capacity per pair kg			Standard length mm	Length with head type ② mm	Length with head type ③ mm	Length with head type ④** mm	Standard ramp dimension with raised edge E* mm	Weight per pair kg
	with raised edges	without raised edges	1000 mm	1250 mm	1500 mm						
M085/20	MM085BL.30.20	MM085SL.30.20	3000	3400	3400	1995	1944	1846	1910	91	25
M085/25	MM085BL.30.25	MM085SL.30.25	2100	2600	3000	2495	2444	2346	2410	91	28
M085/30	MM085BL.30.30	MM085SL.30.30	1500	1710	2100	2995	2944	2846	2910	91	33
M085/35	MM085BL.30.35	MM085SL.30.35	1200	1330	1500	3495	3444	3346	3410	91	38
M085/40	MM085BL.30.40	MM085SL.30.40	1000	1090	1200	3995	3944	3846	3910	91	44
M085/45	MM085BL.30.45	MM085SL.30.45	850	920	1000	4495	4444	4346	4410	91	49

Minimum width of the wheel or track 150 mm. Maximum width of the wheel or track 220 mm.

The range is available with only one raised edge.

\* Dimension E of the standard ramps without raised edges is the same as the height of the ramp profile.

\*\* The length with head connection type 4 of the ramps with raised edges is 22 mm shorter compared to the indicated measure.

Model	Item code		Loading capacity per pair kg			Standard length mm	Length with head type ② mm	Length with head type ③ mm	Length with head type ④** mm	Standard ramp dimension with raised edge E* mm	Weight per pair kg
	with raised edges	without raised edges	1000 mm	1250 mm	1500 mm						
M076/20	MM076BL.30.20	MM076SL.30.20	3500	3500	3500	1995	1944	1846	1910	91	28
M076/25	MM076BL.30.25	MM076SL.30.25	2330	2700	3500	2495	2444	2346	2410	91	35
M076/30	MM076BL.30.30	MM076SL.30.30	1750	2000	2330	2995	2944	2846	2910	91	39
M076/35	MM076BL.30.35	MM076SL.30.35	1400	1550	1750	3495	3444	3346	3410	91	45
M076/40	MM076BL.30.40	MM076SL.30.40	1160	1270	1400	3995	3944	3846	3910	91	51
M076/45	MM076BL.30.45	MM076SL.30.45	1000	1070	1160	4495	4444	4346	4410	91	57

Minimum width of the wheel or track 150 mm. Maximum width of the wheel or track 220 mm.

The range is available with only one raised edge.

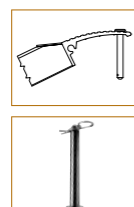
\* Dimension E of the standard ramps without raised edges is the same as the height of the ramp profile.

\*\* The length with head connection type 4 of the ramps with raised edges is 22 mm shorter compared to the indicated measure.

### ANCHORING SYSTEMS



**Aluminium tab (standard):** The advantage of this anchoring system lies in the fact that the tab can be positioned along a large portion of the ramp's width, and can turn inside the head connection into which it has been inserted. The system comes with end caps for the head to prevent the tab disconnecting from the ramp during use.



**Steel pin (on request):** A galvanised steel pin with a diameter of 14 mm and a 24-mm-diameter head can be inserted through the holes in the standard head connection of the ramp and the loading bed.

### HANDLING SYSTEMS



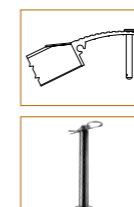
**Nylon handles (on request):** The product can be supplied with robust nylon handles to facilitate handling. Available in lengths of 30 cm and 60 cm, according to the model of the product selected.

Recommended nylon handles for manual handling: 4 pcs each ramp. Recommended nylon handles for handling by lifting equipment: 2 pcs minimum each ramp.

### ANCHORING SYSTEMS



**Aluminium tab (standard):** The advantage of this anchoring system lies in the fact that the tab can be positioned along a large portion of the ramp's width, and can turn inside the head connection into which it has been inserted. The system comes with end caps for the head to prevent the tab disconnecting from the ramp during use.



**Steel pin (on request):** A galvanised steel pin with a diameter of 14 mm and a 24-mm-diameter head can be inserted through the holes in the standard head connection of the ramp and the loading bed.

### HANDLING SYSTEMS



**Nylon handles (on request):** The product can be supplied with robust nylon handles to facilitate handling. Available in lengths of 30 cm and 60 cm, according to the model of the product selected.

Recommended nylon handles for manual handling: 4 pcs each ramp. Recommended nylon handles for handling by lifting equipment: 2 pcs minimum each ramp.



# LOADING RAMPS

M100 

# LOADING RAMPS

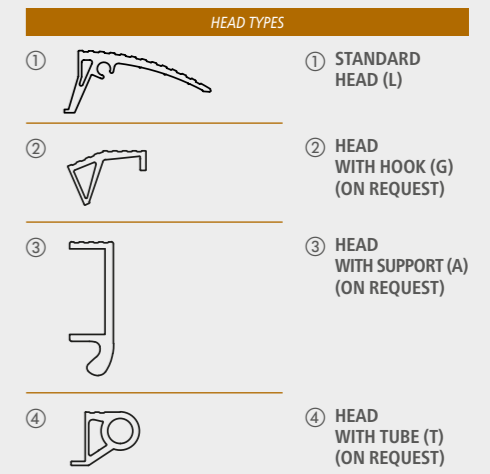
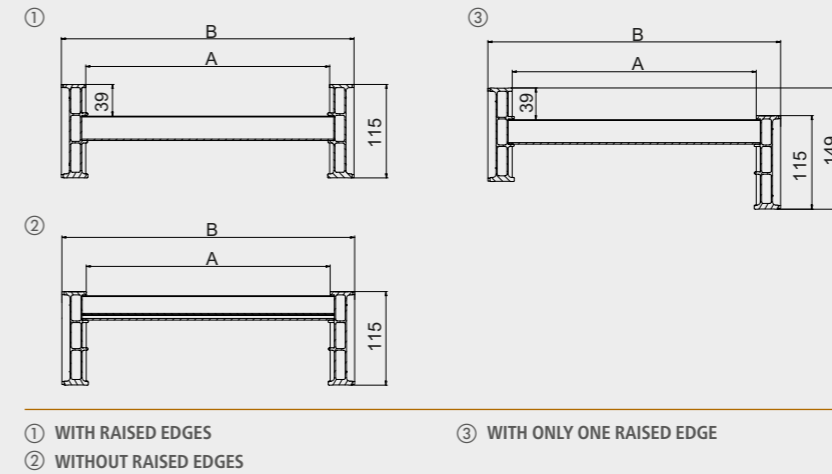
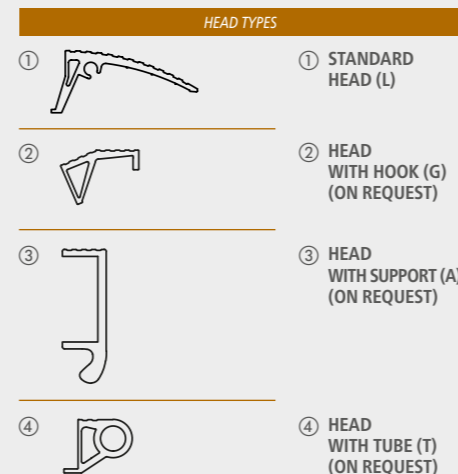
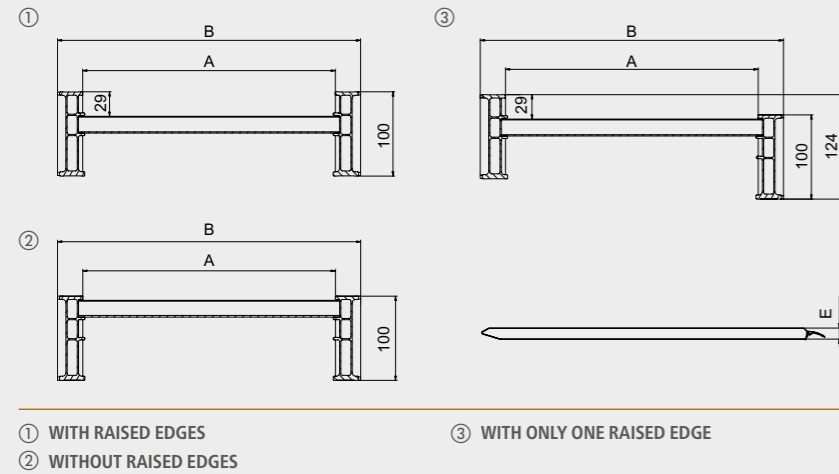
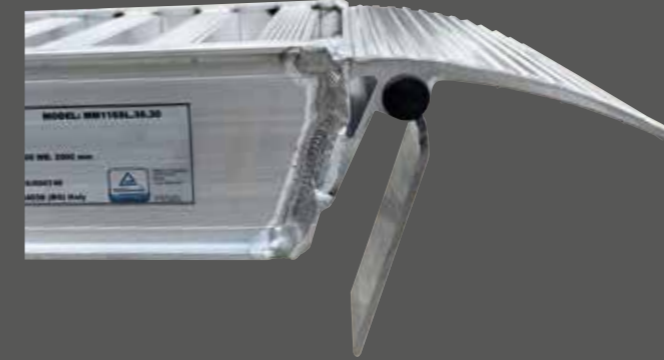
M115 

PRODUCT FAMILY:  
**M100 M115  
M125**

MAX. LOADING CAPACITY PER PAIR:  
**6.000 kg**

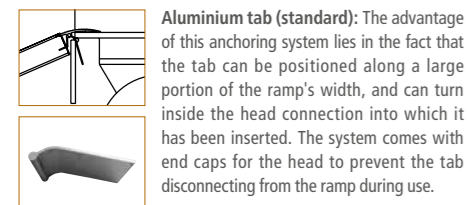
This range of loading and unloading ramps, made with high-quality extruded aluminium profiles, is particularly suitable for moving medium rubber-wheeled vehicles used in various sectors, from agriculture to gardening and construction to earth moving, such as: mini tractors, mini excavators, mini dumpers, etc. Available in various widths and with different types of head connection, they are particularly valued by manufacturers of light trailers, as they are perfectly suited to their needs.

The range is made with raised edges, without raised edges or with only one raised edge and the product is supplied with the required anchoring tabs. Upon request, the range without raised edges can be supplied with a vulcanized rubber covering for the specific handling of compactor rollers and vehicles with steel tracks.

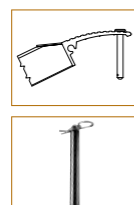


Model	Item code		Wheelbase			Standard length	Length with head type ②	Length with head type ③	Length with head type ④	Internal width A	External width B	Standard ramp dimension with raised edges E*	Weight per pair
	with raised edges	without raised edges	1000 mm	1250 mm	1500 mm								
M100/25	MM101BL.36.25	MM101SL.36.25	2500	3020	3800	2495	2444	2346	2410	300	360	104	36
M100/30	MM101BL.36.30	MM101SL.36.30	1900	2150	2500	2995	2944	2846	2910	300	360	104	39
M100/35	MM101BL.36.35	MM101SL.36.35	1500	1680	1900	3495	3444	3346	3410	300	360	104	45
M100/40	MM101BL.36.40	MM101SL.36.40	1250	1370	1500	3995	3944	3846	3910	300	360	104	51
M100/45	MM101BL.36.45	MM101SL.36.45	1070	1160	1250	4495	4444	4346	4410	300	360	104	56
M100/50	MM101BL.36.50	MM101SL.36.50	940	1000	1070	4995	4944	4846	4910	300	360	104	62
Minimum width of the wheel or track 200 mm. Maximum width of the wheel or track 280 mm.													
M100/25L	MM101BL.40.25	MM101SL.40.25	2500	3020	3800	2495	2444	2346	2410	340	400	104	38
M100/30L	MM101BL.40.30	MM101SL.40.30	1900	2150	2500	2995	2944	2846	2910	340	400	104	45
M100/35L	MM101BL.40.35	MM101SL.40.35	1500	1680	1900	3495	3444	3346	3410	340	400	104	47
M100/40L	MM101BL.40.40	MM101SL.40.40	1250	1370	1500	3995	3944	3846	3910	340	400	104	54
M100/45L	MM101BL.40.45	MM101SL.40.45	1070	1160	1250	4495	4444	4346	4410	340	400	104	60
M100/50L	MM101BL.40.50	MM101SL.40.50	940	1000	1070	4995	4944	4846	4910	340	400	104	66
Minimum width of the wheel or track 200 mm. Maximum width of the wheel or track 320 mm.													
The range is available with only one raised edge.													
* Dimension E of the standard ramps without raised edges is the same as the height of the ramp profile.													

## ANCHORING SYSTEMS



**Aluminium tab (standard):** The advantage of this anchoring system lies in the fact that the tab can be positioned along a large portion of the ramp's width, and can turn inside the head connection into which it has been inserted. The system comes with end caps for the head to prevent the tab disconnecting from the ramp during use.



**Steel pin (on request):** A galvanised steel pin with a diameter of 14 mm and a 24-mm-diameter head can be inserted through the holes in the standard head connection of the ramp and the loading bed.

## HANDLING SYSTEMS

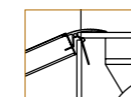


**Nylon handles (on request):** The product can be supplied with robust nylon handles to facilitate handling. Available in lengths of 30 cm and 60 cm, according to the model of the product selected.

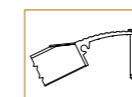
Recommended nylon handles for manual handling: 4 pcs each ramp. Recommended nylon handles for handling by lifting equipment: 2 pcs minimum each ramp.

Model	Item code		Wheelbase			Standard length	Length with head type ②	Length with head type ③	Length with head type ④	Internal width A	External width B	Weight per pair
	with raised edges	without raised edges	1000 mm	1500 mm	2000 mm							
M115/25	MM116BL.36.25	MM116SL.36.25	3000	4500	5000	2485	2434	2336	2400	300	360	39
M115/30	MM116BL.36.30	MM116SL.36.30	2500	3000	4500	2985	2934	2836	2900	300	360	44
M115/35	MM116BL.36.35	MM116SL.36.35	2000	2500	3000	3485	3434	3336	3400	300	360	51
M115/40	MM116BL.36.40	MM116SL.36.40	1500	1800	2500	3985	3934	3836	3900	300	360	58
M115/45	MM116BL.36.45	MM116SL.36.45	1285	1500	1800	4485	4434	4336	4400	300	360	65
M115/50	MM116BL.36.50	MM116SL.36.50	1125	1285	1500	4985	4934	4836	4900	300	360	72
Minimum width of the wheel or track 200 mm. Maximum width of the wheel or track 280 mm.												
M115/25L	MM116BL.40.25	MM116SL.40.25	3000	4500	5000	2485	2434	2336	2400	340	400	41
M115/30L	MM116BL.40.30	MM116SL.40.30	2500	3000	4500	2985	2934	2836	2900	340	400	49
M115/35L	MM116BL.40.35	MM116SL.40.35	2000	2500	3000	3485	3434	3336	3400	340	400	56
M115/40L	MM116BL.40.40	MM116SL.40.40	1500	1800	2500	3985	3934	3836	3900	340	400	64
M115/45L	MM116BL.40.45	MM116SL.40.45	1285	1500	1800	4485	4434	4336	4400	340	400	71
M115/50L	MM116BL.40.50	MM116SL.40.50	1125	1285	1500	4985	4934	4836	4900	340	400	79
Minimum width of the wheel or track 200 mm. Maximum width of the wheel or track 320 mm.												
The range is available with only one raised edge.												

## ANCHORING SYSTEMS



**Aluminium tab (standard):** The advantage of this anchoring system lies in the fact that the tab can be positioned along a large portion of the ramp's width, and can turn inside the head connection into which it has been inserted. The system comes with end caps for the head to prevent the tab disconnecting from the event & removal ramp during use.



**Steel pin (on request):** A galvanised steel pin with a diameter of 14 mm and a 24-mm-diameter head can be inserted through the holes in the standard head connection of the ramp and the loading bed.

## HANDLING SYSTEMS



**Nylon handles (on request):** The product can be supplied with robust nylon handles to facilitate handling. Available in lengths of 30 cm and 60 cm, according to the model of the product selected.

Recommended nylon handles for manual handling: 4 pcs each ramp. Recommended nylon handles for handling by lifting equipment: 2 pcs minimum each ramp.

# LOADING RAMPS

M125 



# LOADING RAMPS

M140 

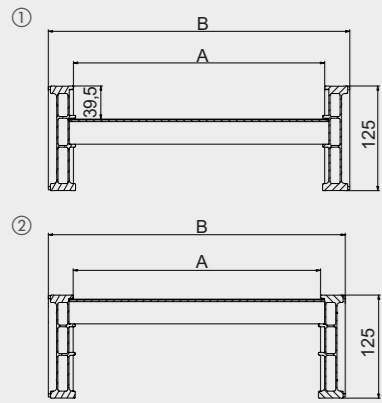
PRODUCT FAMILY:

**M140 M150**

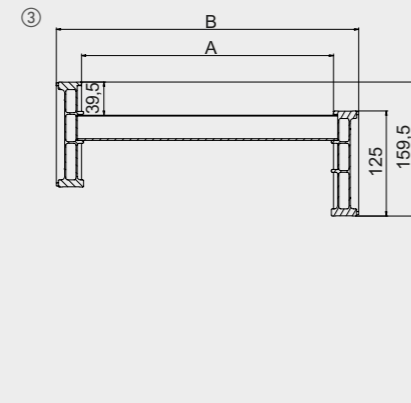
MAX. LOADING CAPACITY PER PAIR:

**8.000 kg**

Created for moving rubber-wheeled vehicles with medium loads used in various sectors, from agriculture to gardening and construction to earthmoving, such as tractors, excavators, dumpers and aerial platforms. Available in various widths and with different types of head connections, they are particularly valued by trailer manufacturers as they are perfectly suited to their needs. The range is made with raised edges, without raised edges, with only one raised edge and the product is supplied with the required anchoring chains. Upon request, the range without raised edges can be supplied with a vulcanised rubber covering for the specific handling of compactor rollers and vehicles with steel tracks.







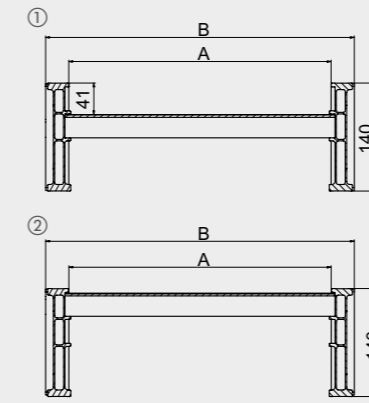
① WITH RAISED EDGES  
② WITHOUT RAISED EDGES



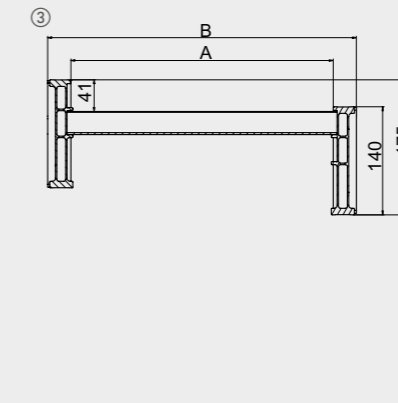
③ WITH ONLY ONE RAISED EDGE

HEAD TYPES

- ①  ① STANDARD HEAD (L)
- ②  ② HEAD WITH HOOK (G) (ON REQUEST)
- ③  ③ HEAD WITH SUPPORT (A) (ON REQUEST)
- ④  ④ HEAD WITH TUBE (T) (ON REQUEST)







① WITH RAISED EDGES  
② WITHOUT RAISED EDGES



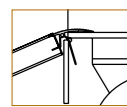
③ WITH ONLY ONE RAISED EDGE

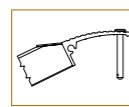
HEAD TYPES

- ①  ① STANDARD HEAD (L)
- ②  ② HEAD WITH HOOK (G) (ON REQUEST)
- ③  ③ HEAD WITH SUPPORT (A) (ON REQUEST)
- ④  ④ HEAD WITH TUBE (T) (ON REQUEST)


Model	Item code		Loading capacity per pair kg							Standard length mm	Length with head type ② mm	Length with head type ③ mm	Length with head type ④ mm	Internal width A mm	External width B mm	Weight per pair kg
			Wheelbase													
			with raised edges	without raised edges	1000 mm	1500 mm	2000 mm									
M125/25	MM126BL.36.25	MM126SL.36.25	4580	6000	6000	2485	2434	2336	2400	300	360	44				
M125/30	MM126BL.36.30	MM126SL.36.30	3435	4580	6000	2985	2934	2836	2900	300	360	52				
M125/35	MM126BL.36.35	MM126SL.36.35	2750	3435	4580	3485	3434	3336	3400	300	360	60				
M125/40	MM126BL.36.40	MM126SL.36.40	2290	2750	3435	3985	3934	3836	3900	300	360	67				
M125/45	MM126BL.36.45	MM126SL.36.45	1965	2290	2750	4485	4434	4336	4400	300	360	74				
M125/50	MM126BL.36.50	MM126SL.36.50	1720	1965	2290	4985	4934	4836	4900	300	360	82				
Minimum width of the wheel or track 200 mm. Maximum width of the wheel or track 280 mm.																
M125/25L	MM126BL.40.25	MM126SL.40.25	4580	6000	6000	2485	2434	2336	2400	340	400	46				
M125/30L	MM126BL.40.30	MM126SL.40.30	3435	4580	6000	2985	2934	2836	2900	340	400	55				
M125/35L	MM126BL.40.35	MM126SL.40.35	2750	3435	4580	3485	3434	3336	3400	340	400	64				
M125/40L	MM126BL.40.40	MM126SL.40.40	2290	2750	3435	3985	3934	3836	3900	340	400	73				
M125/45L	MM126BL.40.45	MM126SL.40.45	1965	2290	2750	4485	4434	4336	4400	340	400	81				
M125/50L	MM126BL.40.50	MM126SL.40.50	1720	1965	2290	4985	4934	4836	4900	340	400	90				
Minimum width of the wheel or track 200 mm. Maximum width of the wheel or track 320 mm.																

ANCHORING SYSTEMS

 Aluminium tab (standard): The advantage of this anchoring system lies in the fact that the tab can be positioned along a large portion of the ramp's width, and can turn inside the head connection into which it has been inserted. The system comes with end caps for the head to prevent the tab disconnecting from the ramp during use.


 Steel pin (on request): A galvanised steel pin with a diameter of 14 mm and a 24-mm-diameter head can be inserted through the holes in the standard head connection of the ramp and the loading bed.

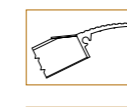
HANDLING SYSTEMS


 Nylon handles (on request): The product can be supplied with robust nylon handles to facilitate handling. Available in lengths of 30 cm and 60 cm, according to the model of the product selected. Recommended nylon handles for manual handling: 4 pcs each ramp. Recommended nylon handles for handling by lifting equipment: 2 pcs minimum each ramp.

Model	Item code		Loading capacity per pair kg							Standard length mm	Length with head type ② mm	Length with head type ③ mm	Length with head type ④ mm	Internal width A mm	External width B mm	Weight per pair kg
			Wheelbase													
			with raised edges	without raised edges	1000 mm	1500 mm	2000 mm									
M140/25	MM141BL.40.25	MM141SL.40.25	5540	7000	7000	2500	2450	2336	2400	340	400	55				
M140/30	MM141BL.40.30	MM141SL.40.30	4155	5540	7000	3000	2950	2836	2900	340	400	65				
M140/35	MM141BL.40.35	MM141SL.40.35	3325	4155	5540	3500	3450	3336	3400	340	400	70				
M140/40	MM141BL.40.40	MM141SL.40.40	2770	3325	4155	4000	3950	3836	3900	340	400	80				
M140/45	MM141BL.40.45	MM141SL.40.45	2375	2770	3325	4500	4450	4336	4400	340	400	89				
M140/50	MM141BL.40.50	MM141SL.40.50	2080	2375	2770	5000	4950	4836	4900	340	400	98				
Minimum width of the wheel or track 200 mm. Maximum width of the wheel or track 320 mm.																
M140/25L	MM141BL.46.25	MM141SL.46.25	5540	7000	7000	2500	2450	2336	2400	400	460	59				
M140/30L	MM141BL.46.30	MM141SL.46.30	4155	5540	7000	3000	2950	2836	2900	400	460	71				
M140/35L	MM141BL.46.35	MM141SL.46.35	3325	4155	5540	3500	3450	3336	3400	400	460	76				
M140/40L	MM141BL.46.40	MM141SL.46.40	2770	3325	4155	4000	3950	3836	3900	400	460	86				
M140/45L	MM141BL.46.45	MM141SL.46.45	2375	2770	3325	4500	4450	4336	4400	400	460	96				
M140/50L	MM141BL.46.50	MM141SL.46.50	2080	2375	2770	5000	4950	4836	4900	400	460	106				
Minimum width of the wheel or track 200 mm. Maximum width of the wheel or track 380 mm.																

ANCHORING SYSTEMS

 Carabiner clip with steel chain (standard): The steel chain must be hooked using the carabiner clip supplied to the loading bed, and must be inserted into the appropriate attachment system provided under the ramp's driving surface.

 Steel pin (on request): A galvanised steel pin with a diameter of 14 mm and a 24-mm-diameter head can be inserted through the holes in the standard head connection of the ramp and the loading bed.

 Steel bracket (on request): This anchoring system consists of a galvanised steel bracket that must be inserted between the loading bed and the edge of the loading bed. The bracket can be positioned along a large portion of the ramp's width and can also swivel, allowing it to be placed in the optimum position.

HANDLING SYSTEMS

 Nylon handles (on request): The product can be supplied with robust nylon handles to facilitate handling. Available in lengths of 30 cm and 60 cm, according to the model of the product selected. Recommended nylon handles for manual handling: 4 pcs each ramp. Recommended nylon handles for handling by lifting equipment: 2 pcs minimum each ramp.

# LOADING RAMPS

M150 

# LOADING RAMPS

M160 



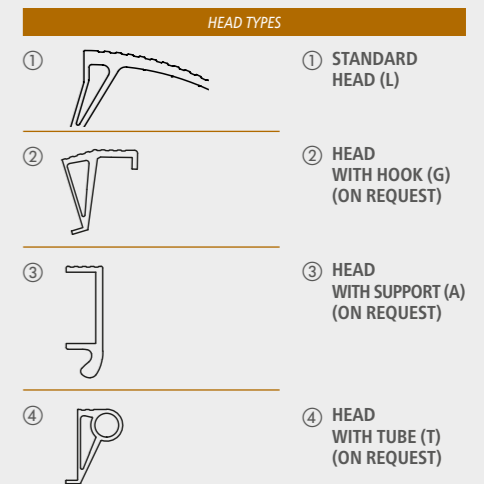
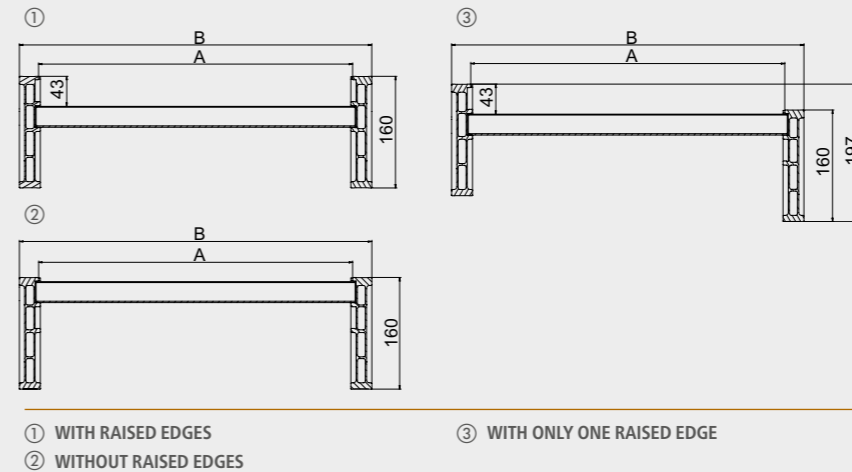
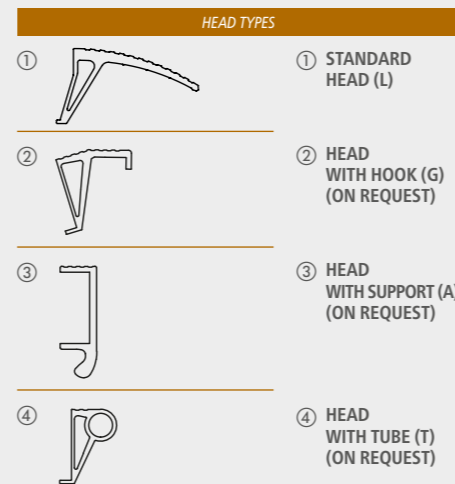
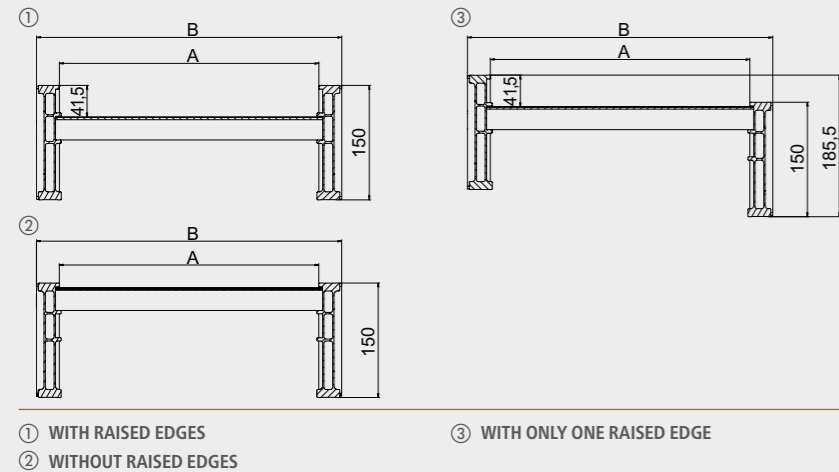
PRODUCT FAMILY:

M160 M170 M185  
M200 M230

MAX. LOADING CAPACITY  
PER PAIR:

16.000 kg

The strongest and most robust ramps in this range are suitable for the movement of machinery with heavy loads used in various sectors, from agriculture to gardening and construction to earthmoving, such as tractors, excavators, bulldozers and aerial platforms. They are also particularly suitable for loading and unloading containers. Available in various widths and with different types of head connections, they are particularly valued by manufacturers of heavy trailers as they are perfectly suited to their needs. The range is made with raised edges, without raised edges, with only one raised edge and the product is supplied with the required anchoring chains. Upon request, the range without raised edges can be supplied with a vulcanised rubber covering for the specific handling of compactor rollers and vehicles with steel tracks.



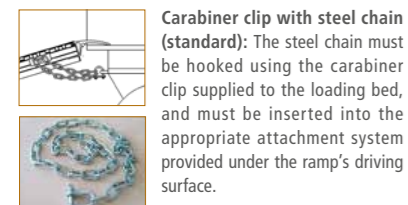
Model	Item code		Loading capacity per pair kg			Standard length mm	Length with head type ② mm	Length with head type ③ mm	Length with head type ④ mm	Internal width A mm	External width B mm	Weight per pair kg
	with raised edges	without raised edges	1000 mm	1500 mm	2000 mm							
M150/25	MM151BL.40.25	MM151SL.40.25	6870	8000	8000	2500	2450	2336	2400	340	400	59
M150/30	MM151BL.40.30	MM151SL.40.30	5150	6870	8000	3000	2950	2836	2900	340	400	70
M150/35	MM151BL.40.35	MM151SL.40.35	4120	5150	6870	3500	3450	3336	3400	340	400	81
M150/40	MM151BL.40.40	MM151SL.40.40	3435	4120	5150	4000	3950	3836	3900	340	400	87
M150/45	MM151BL.40.45	MM151SL.40.45	2945	3435	4120	4500	4450	4336	4400	340	400	96
M150/50	MM151BL.40.50	MM151SL.40.50	2575	2945	3435	5000	4950	4836	4900	340	400	107
Minimum width of the wheel or track 200 mm. Maximum width of the wheel or track 320 mm.												
M150/25L	MM151BL.46.25	MM151SL.46.25	6870	8000	8000	2500	2450	2336	2400	400	460	64
M150/30L	MM151BL.46.30	MM151SL.46.30	5150	6870	8000	3000	2950	2836	2900	400	460	76
M150/35L	MM151BL.46.35	MM151SL.46.35	4120	5150	6870	3500	3450	3336	3400	400	460	87
M150/40L	MM151BL.46.40	MM151SL.46.40	3435	4120	5150	4000	3950	3836	3900	400	460	93
M150/45L	MM151BL.46.45	MM151SL.46.45	2945	3435	4120	4500	4450	4336	4400	400	460	103
M150/50L	MM151BL.46.50	MM151SL.46.50	2575	2945	3435	5000	4950	4836	4900	400	460	115
Minimum width of the wheel or track 200 mm. Maximum width of the wheel or track 380 mm.												

The range is available with only one raised edge.

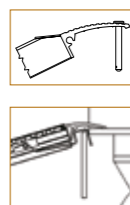
Model	Item code		Loading capacity per pair kg			Standard length mm	Length with head type ② mm	Length with head type ③ mm	Length with head type ④ mm	Internal width A mm	External width B mm	Weight per pair kg
	with raised edges	without raised edges	1000 mm	1500 mm	2000 mm							
M160/25	MM160BL.46.25	MM160SL.46.25	8430	9000	9000	2500	2450	2336	2400	400	460	69
M160/30	MM160BL.46.30	MM160SL.46.30	6320	8430	9000	3000	2950	2836	2900	400	460	81
M160/35	MM160BL.46.35	MM160SL.46.35	5060	6320	8430	3500	3450	3336	3400	400	460	94
M160/40	MM160BL.46.40	MM160SL.46.40	4210	5060	6320	4000	3950	3836	3900	400	460	106
M160/45	MM160BL.46.45	MM160SL.46.45	3610	4210	5060	4500	4450	4336	4400	400	460	119
M160/50	MM160BL.46.50	MM160SL.46.50	3160	3610	4210	5000	4950	4836	4900	400	460	131
Minimum width of the wheel or track 200 mm. Maximum width of the wheel or track 380 mm.												
M160/25L	MM160BL.51.25	MM160SL.51.25	8430	9000	9000	2500	2450	2336	2400	450	510	73
M160/30L	MM160BL.51.30	MM160SL.51.30	6320	8430	9000	3000	2950	2836	2900	450	510	86
M160/35L	MM160BL.51.35	MM160SL.51.35	5060	6320	8430	3500	3450	3336	3400	450	510	99
M160/40L	MM160BL.51.40	MM160SL.51.40	4210	5060	6320	4000	3950	3836	3900	450	510	112
M160/45L	MM160BL.51.45	MM160SL.51.45	3610	4210	5060	4500	4450	4336	4400	450	510	125
M160/50L	MM160BL.51.50	MM160SL.51.50	3160	3610	4210	5000	4950	4836	4900	450	510	138
Minimum width of the wheel or track 200 mm. Maximum width of the wheel or track 430 mm.												

The range is available with only one raised edge.

## ANCHORING SYSTEMS



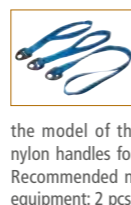
**Carabiner clip with steel chain (standard):** The steel chain must be hooked using the carabiner clip supplied to the loading bed, and must be inserted into the appropriate attachment system provided under the ramp's driving surface.



**Steel pin (on request):** A galvanised steel pin with a diameter of 14 mm and a 24-mm-diameter head can be inserted through the holes in the standard head connection of the ramp and the loading bed.

**Steel bracket (on request):** This anchoring system consists of a galvanised steel bracket that must be inserted between the loading bed and the edge of the loading bed. The bracket can be positioned along a large portion of the ramp's width and can also swivel, allowing it to be placed in the optimum position.

## HANDLING SYSTEMS

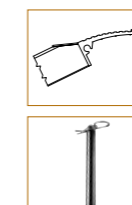


**Nylon handles (on request):** The product can be supplied with robust nylon handles to facilitate handling. Available in lengths of 30 cm and 60 cm, according to the model of the product selected. Recommended nylon handles for manual handling: 4 pcs each ramp. Recommended nylon handles for handling by lifting equipment: 2 pcs minimum each ramp.

## ANCHORING SYSTEMS

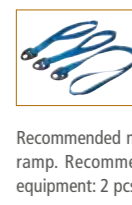


**Carabiner clip with steel chain (standard):** The steel chain must be hooked using the carabiner clip supplied to the loading bed, and must be inserted into the appropriate attachment system provided under the ramp's driving surface.



**Steel pin (on request):** A galvanised steel pin with a diameter of 14 mm and a 24-mm-diameter head can be inserted through the holes in the standard head connection of the ramp and the loading bed.

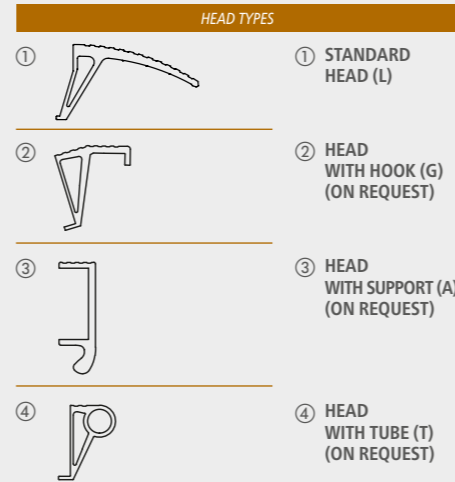
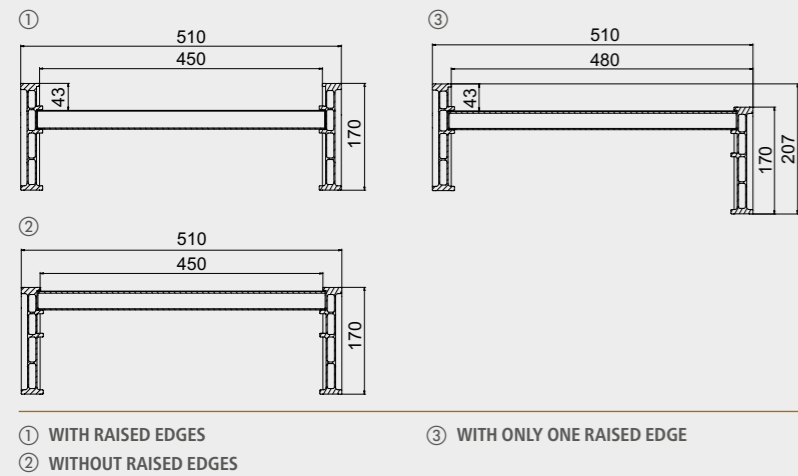
## HANDLING SYSTEMS



**Nylon handles (on request):** The product can be supplied with robust nylon handles to facilitate handling. Available in lengths of 30 cm and 60 cm, according to the model of the product selected. Recommended nylon handles for manual handling: 4 pcs each ramp. Recommended nylon handles for handling by lifting equipment: 2 pcs minimum each ramp.

# LOADING RAMPS

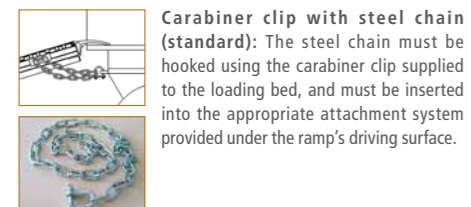
M170 



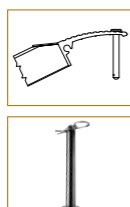
Model	Item code		Loading capacity per pair kg			Standard length mm	Length with head type ② mm	Length with head type ③ mm	Length with head type ④ mm	Weight per pair kg
	with raised edges	without raised edges	1000 mm	1500 mm	2000 mm					
M170/25	MM171BL.51.25	MM171SL.51.25	9600	10000	10000	2500	2450	2336	2400	76
M170/30	MM171BL.51.30	MM171SL.51.30	7200	9600	10000	3000	2950	2836	2900	89
M170/35	MM171BL.51.35	MM171SL.51.35	5760	7200	9600	3500	3450	3336	3400	103
M170/40	MM171BL.51.40	MM171SL.51.40	4800	5760	7200	4000	3950	3836	3900	117
M170/45	MM171BL.51.45	MM171SL.51.45	4110	4800	5760	4500	4450	4336	4400	130
M170/50	MM171BL.51.50	MM171SL.51.50	3600	4110	4800	5000	4950	4836	4900	144
M170/55	MM171BL.51.55	MM171SL.51.55	3200	3600	4110	5500	5450	5336	5400	158

Minimum width of the wheel or track 200 mm. Maximum width of the wheel or track 430 mm.  
The range is available with only one raised edge.

## ANCHORING SYSTEMS



**Carabiner clip with steel chain (standard):** The steel chain must be hooked using the carabiner clip supplied to the loading bed, and must be inserted into the appropriate attachment system provided under the ramp's driving surface.



**Steel pin (on request):** A galvanised steel pin with a diameter of 14 mm and a 24-mm-diameter head can be inserted through the holes in the standard head connection of the ramp and the loading bed.

## HANDLING SYSTEMS

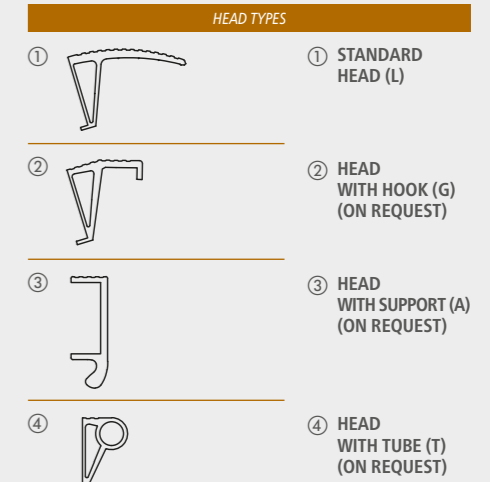
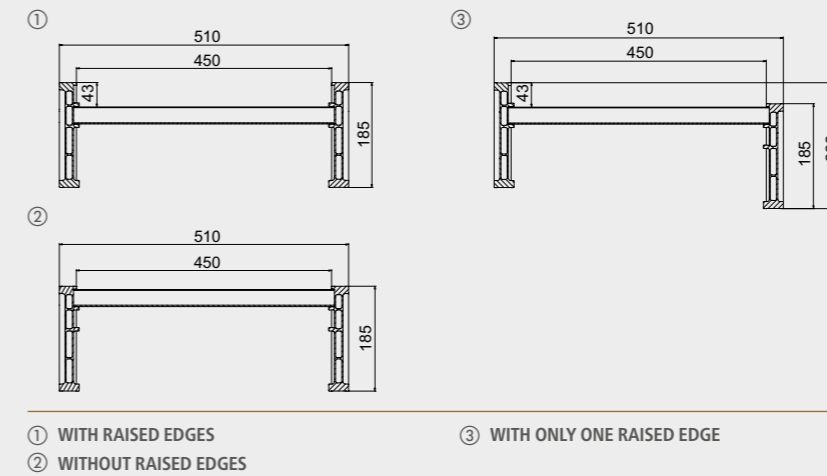
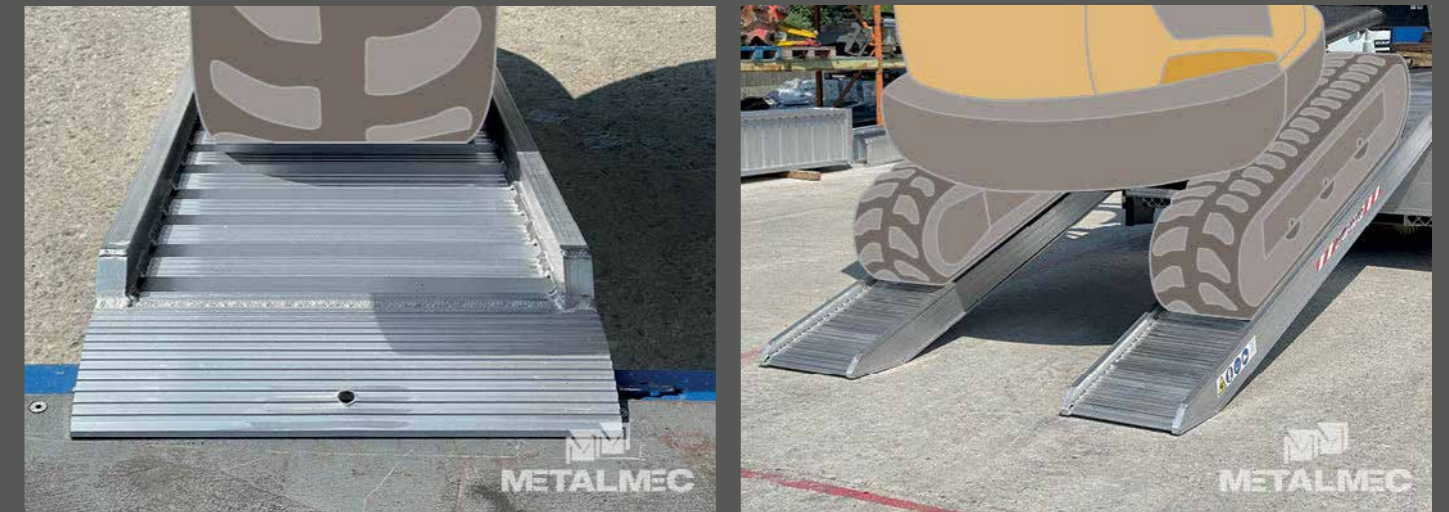


**Nylon handles (on request):** The product can be supplied with robust nylon handles to facilitate handling. Available in lengths of 30 cm and 60 cm, according to the model of the product selected.

Recommended nylon handles for manual handling: 4 pcs each ramp. Recommended nylon handles for handling by lifting equipment: 2 pcs minimum each ramp.

# LOADING RAMPS

M185 



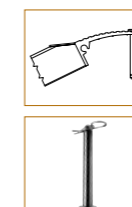
Model	Item code		Loading capacity per pair kg			Standard length mm	Length with head type ② mm	Length with head type ③ mm	Length with head type ④ mm	Weight per pair kg
	with raised edges	without raised edges	1000 mm	1500 mm	2000 mm					
M185/25	MM186BL.51.25	MM186SL.51.25	12000	12000	12000	2462	2400	2286	2350	88
M185/30	MM186BL.51.30	MM186SL.51.30	8870	12000	12000	2962	2900	2786	2850	105
M185/35	MM186BL.51.35	MM186SL.51.35	7100	8870	12000	3462	3400	3286	3350	122
M185/40	MM186BL.51.40	MM186SL.51.40	5910	7100	8870	3962	3900	3786	3850	127
M185/45	MM186BL.51.45	MM186SL.51.45	5070	5910	7100	4462	4400	4286	4350	142
M185/50	MM186BL.51.50	MM186SL.51.50	4430	5070	5910	4962	4900	4786	4850	157
M185/55	MM186BL.51.55	MM186SL.51.55	3940	4430	5070	5462	5400	5286	5350	172

Minimum width of the wheel or track 200 mm. Maximum width of the wheel or track 430 mm.  
The range is available with only one raised edge.

## ANCHORING SYSTEMS



**Carabiner clip with steel chain (standard):** The steel chain must be hooked using the carabiner clip supplied to the loading bed, and must be inserted into the appropriate attachment system provided under the ramp's driving surface.



**Steel pin (on request):** A galvanised steel pin with a diameter of 14 mm and a 24-mm-diameter head can be inserted through the holes in the standard head connection of the ramp and the loading bed.

## HANDLING SYSTEMS



**Nylon handles (on request):** The product can be supplied with robust nylon handles to facilitate handling. Available in lengths of 30 cm and 60 cm, according to the model of the product selected.

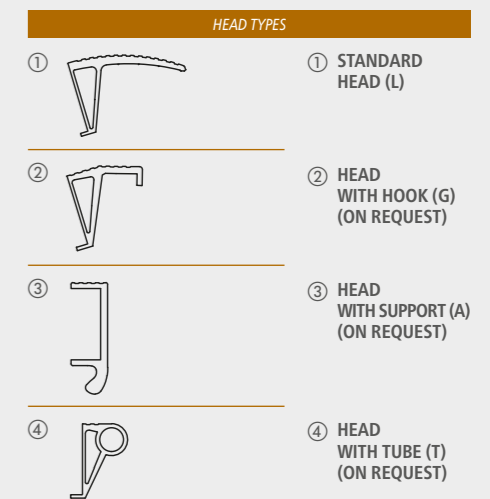
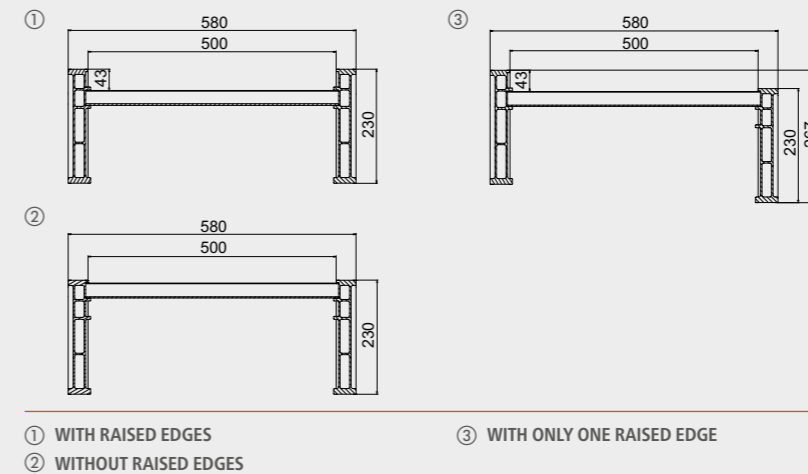
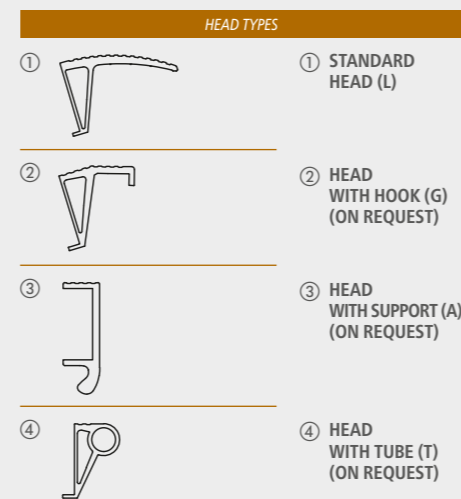
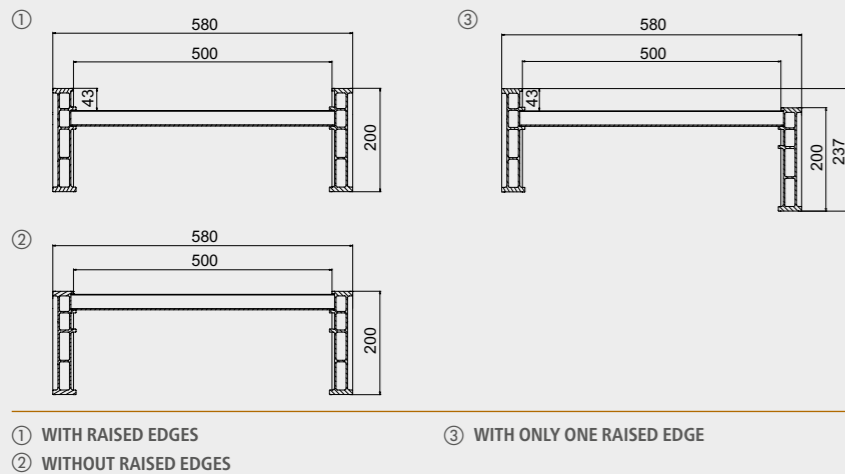
Recommended nylon handles for manual handling: 4 pcs each ramp. Recommended nylon handles for handling by lifting equipment: 2 pcs minimum each ramp.

# LOADING RAMPS

M200 

# LOADING RAMPS

M230 



Model	Item code		Loading capacity per pair kg			Standard length mm	Length with head type ② mm	Length with head type ③ mm	Length with head type ④ mm	Weight per pair kg
			1000 mm	1500 mm	2000 mm					
M200/25	MM201BL.58.25	MM201SL.58.25	14000	14000	14000	2462	2400	2286	2350	102
M200/30	MM201BL.58.30	MM201SL.58.30	10620	14000	14000	2962	2900	2786	2850	122
M200/35	MM201BL.58.35	MM201SL.58.35	8500	10620	14000	3462	3400	3286	3350	141
M200/40	MM201BL.58.40	MM201SL.58.40	7080	8500	10620	3962	3900	3786	3850	161
M200/45	MM201BL.58.45	MM201SL.58.45	6070	7080	8500	4462	4400	4286	4350	180
M200/50	MM201BL.58.50	MM201SL.58.50	5310	6070	7080	4962	4900	4786	4850	183
M200/55	MM201BL.58.55	MM201SL.58.55	4720	5310	6070	5462	5400	5286	5350	201

Minimum width of the wheel or track 300 mm. Maximum width of the wheel or track 480 mm.  
The range is available with only one raised edge.

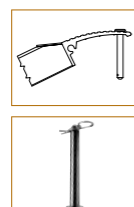
Model	Item code		Loading capacity per pair kg			Standard length mm	Length with head type ② mm	Length with head type ③ mm	Length with head type ④ mm	Weight per pair kg
			1000 mm	1500 mm	2000 mm					
M230/25	MM231BL.58.25	MM231SL.58.25	16000	16000	16000	2462	2400	2286	2350	111
M230/30	MM231BL.58.30	MM231SL.58.30	15010	16000	16000	2962	2900	2786	2850	133
M230/35	MM231BL.58.35	MM231SL.58.35	12000	15010	16000	3462	3400	3286	3350	154
M230/40	MM231BL.58.40	MM231SL.58.40	10000	12000	15010	3962	3900	3786	3850	176
M230/45	MM231BL.58.45	MM231SL.58.45	8570	10000	12000	4462	4400	4286	4350	198
M230/50	MM231BL.58.50	MM231SL.58.50	7500	8570	10000	4962	4900	4786	4850	219
M230/55	MM231BL.58.55	MM231SL.58.55	6670	7500	8570	5462	5400	5286	5350	241

Minimum width of the wheel or track 300 mm. Maximum width of the wheel or track 480 mm.  
The range is available with only one raised edge.

## ANCHORING SYSTEMS

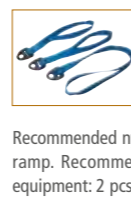


**Carabiner clip with steel chain (standard):** The steel chain must be hooked using the carabiner clip supplied to the loading bed, and must be inserted into the appropriate attachment system provided under the ramp's driving surface.



**Steel pin (on request):** A galvanised steel pin with a diameter of 14 mm and a 24-mm-diameter head can be inserted through the holes in the standard head connection of the ramp and the loading bed.

## HANDLING SYSTEMS



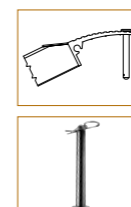
**Nylon handles (on request):** The product can be supplied with robust nylon handles to facilitate handling. Available in lengths of 30 cm and 60 cm, according to the model of the product selected.

Recommended nylon handles for manual handling: 4 pcs each ramp. Recommended nylon handles for handling by lifting equipment: 2 pcs minimum each ramp.

## ANCHORING SYSTEMS

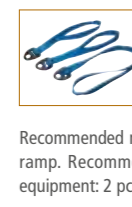


**Carabiner clip with steel chain (standard):** The steel chain must be hooked using the carabiner clip supplied to the loading bed, and must be inserted into the appropriate attachment system provided under the ramp's driving surface.



**Steel pin (on request):** A galvanised steel pin with a diameter of 14 mm and a 24-mm-diameter head can be inserted through the holes in the standard head connection of the ramp and the loading bed.

## HANDLING SYSTEMS



**Nylon handles (on request):** The product can be supplied with robust nylon handles to facilitate handling. Available in lengths of 30 cm and 60 cm, according to the model of the product selected.

Recommended nylon handles for manual handling: 4 pcs each ramp. Recommended nylon handles for handling by lifting equipment: 2 pcs minimum each ramp.

# LOADING RAMPS

# M120S-AL METALMEC

PRODUCT FAMILY:  
**M120S**

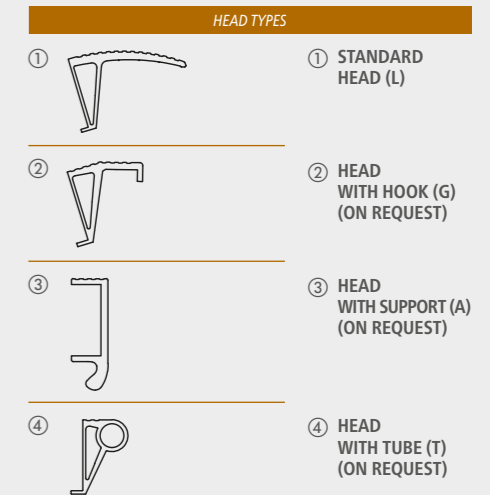
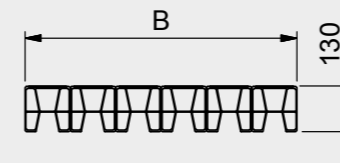
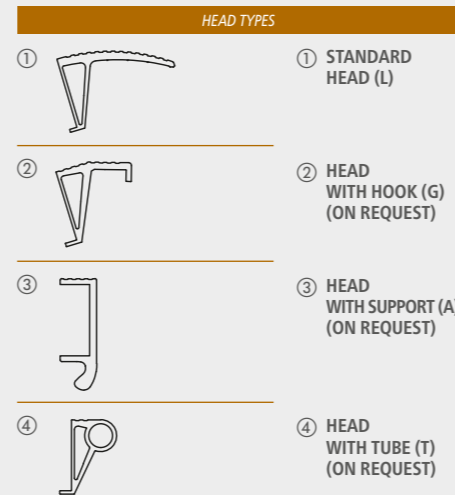
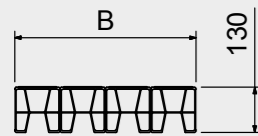
MAX. LOADING CAPACITY  
PER PAIR:  
**26.300 kg**

The extruded aluminium profile used in the production of this range of ramps allows the movement of vehicles weighing up to 26 tonnes. Thanks to the quintet sheet metal covering of the M120S-AL series ramps, they are particularly suitable for moving vehicles with solid rubber tyres or vehicles with rubber tracks. The vulcanised rubber covering of the M120S-R series ramps make them ideal for moving compactor rollers and vehicles with steel tracks. If worn out, the coverings can be replaced separately as they are fixed to the ramps with screws. Replacement coverings can be supplied on request. These ramps are available in various widths with different types of head connections. The range is made without raised edges and the product is supplied with the required anchoring chains.



# LOADING RAMPS

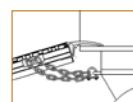
# M120S-AL METALMEC



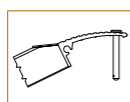
Model	Item code	Loading capacity per pair kg			Length mm	External width B mm	Weight per pair kg
		1500 mm	1750 mm	2000 mm			
M120S/3/20 AL	MM120SL.36.20	13200	13200	13200	2000	360	81
M120S/3/25 AL	MM120SL.36.25	13200	13200	13200	2500	360	100
M120S/3/30 AL	MM120SL.36.30	9574	11489	13200	3000	360	119
M120S/3/35 AL	MM120SL.36.35	7181	8207	9574	3500	360	137
M120S/3/40 AL	MM120SL.36.40	5744	6383	7181	4000	360	156
M120S/3/45 AL	MM120SL.36.45	4787	5222	5744	4500	360	175
M120S/3/50 AL	MM120SL.36.50	4103	4419	4787	5000	360	194
M120S/3/55 AL	MM120SL.36.55	3590	3829	4103	5500	360	213
M120S/4/20 AL	MM120SL.48.20	17500	17500	17500	2000	480	108
M120S/4/25 AL	MM120SL.48.25	17500	17500	17500	2500	480	133
M120S/4/30 AL	MM120SL.48.30	12766	15319	17500	3000	480	158
M120S/4/35 AL	MM120SL.48.35	9574	10942	12766	3500	480	183
M120S/4/40 AL	MM120SL.48.40	7659	8511	9574	4000	480	208
M120S/4/45 AL	MM120SL.48.45	6383	6963	7659	4500	480	234
M120S/4/50 AL	MM120SL.48.50	5471	5892	6383	5000	480	259
M120S/4/55 AL	MM120SL.48.55	4787	5106	5471	5500	480	284

Model	Item code	Loading capacity per pair kg			Length mm	External width B mm	Weight per pair kg
		1500 mm	1750 mm	2000 mm			
M120S/5/20 AL	MM120SL.60.20	21700	21700	21700	2000	600	135
M120S/5/25 AL	MM120SL.60.25	21700	21700	21700	2500	600	166
M120S/5/30 AL	MM120SL.60.30	15958	19149	21700	3000	600	198
M120S/5/35 AL	MM120SL.60.35	11968	13678	15958	3500	600	229
M120S/5/40 AL	MM120SL.60.40	9574	10638	11968	4000	600	260
M120S/5/45 AL	MM120SL.60.45	7979	8704	9574	4500	600	292
M120S/5/50 AL	MM120SL.60.50	6839	7365	7979	5000	600	323
M120S/5/55 AL	MM120SL.60.55	5984	6383	6839	5500	600	355
M120S/6/20 AL	MM120SL.72.20	26300	26300	26300	2000	720	162
M120S/6/25 AL	MM120SL.72.25	26300	26300	26300	2500	720	200
M120S/6/30 AL	MM120SL.72.30	19149	22979	26300	3000	720	237
M120S/6/35 AL	MM120SL.72.35	14362	16414	19149	3500	720	275
M120S/6/40 AL	MM120SL.72.40	11489	12766	14362	4000	720	312
M120S/6/45 AL	MM120SL.72.45	9574	10445	11489	4500	720	350
M120S/6/50 AL	MM120SL.72.50	8207	8838	9574	5000	720	388
M120S/6/55 AL	MM120SL.72.55	7181	7659	8207	5500	720	426

## ANCHORING SYSTEMS



**Carabiner clip with steel chain (standard):** The steel chain must be hooked using the carabiner clip supplied to the loading bed, and must be inserted into the appropriate attachment system provided under the ramp's driving surface.



**Steel pin (on request):** A galvanised steel pin with a diameter of 14 mm and a 24-mm-diameter head can be inserted through the holes in the standard head connection of the ramp and the loading bed.



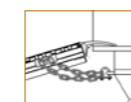
## HANDLING SYSTEMS



**Nylon handles (on request):** The product can be supplied with robust nylon handles to facilitate handling. Available in lengths of 30 cm and 60 cm, according to the model of the product selected.

Recommended nylon handles for manual handling: 4 pcs each ramp. Recommended nylon handles for handling by lifting equipment: 2 pcs minimum each ramp.

## ANCHORING SYSTEMS



**Carabiner clip with steel chain (standard):** The steel chain must be hooked using the carabiner clip supplied to the loading bed, and must be inserted into the appropriate attachment system provided under the ramp's driving surface.



**Steel pin (on request):** A galvanised steel pin with a diameter of 14 mm and a 24-mm-diameter head can be inserted through the holes in the standard head connection of the ramp and the loading bed.



## HANDLING SYSTEMS



**Nylon handles (on request):** The product can be supplied with robust nylon handles to facilitate handling. Available in lengths of 30 cm and 60 cm, according to the model of the product selected.

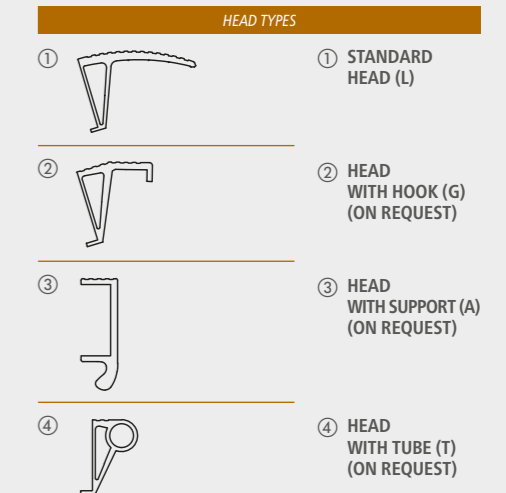
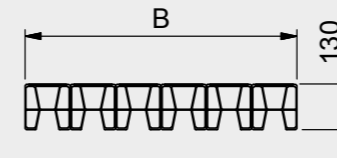
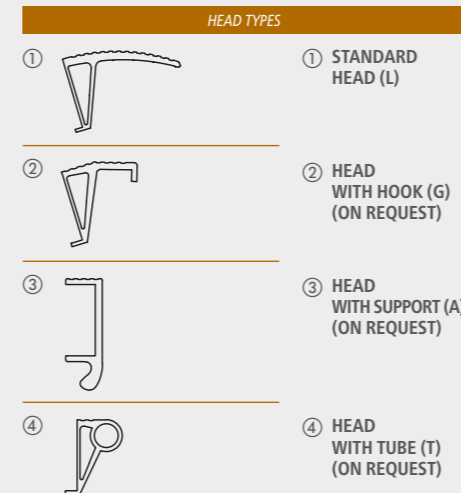
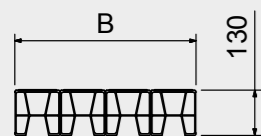
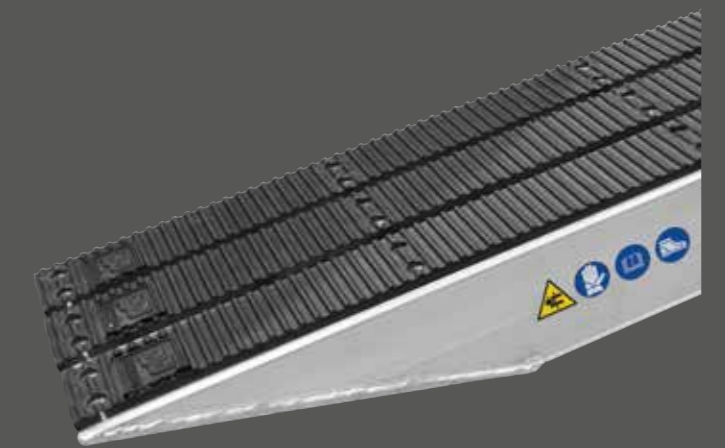
Recommended nylon handles for manual handling: 4 pcs each ramp. Recommended nylon handles for handling by lifting equipment: 2 pcs minimum each ramp.

# LOADING RAMPS

# M120S-R METALMEC

# LOADING RAMPS

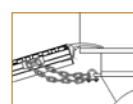
# M120S-R METALMEC



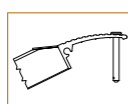
Model	Item code	Loading capacity per pair kg			Length mm	External width B mm	Weight per pair kg
		1500 mm	1750 mm	2000 mm			
M120S/3/20 R	MM121SL.36.20	13200	13200	13200	2000	360	98
M120S/3/25 R	MM121SL.36.25	13200	13200	13200	2500	360	122
M120S/3/30 R	MM121SL.36.30	9574	11489	13200	3000	360	146
M120S/3/35 R	MM121SL.36.35	7181	8207	9574	3500	360	169
M120S/3/40 R	MM121SL.36.40	5744	6383	7181	4000	360	193
M120S/3/45 R	MM121SL.36.45	4787	5222	5744	4500	360	217
M120S/3/50 R	MM121SL.36.50	4103	4419	4787	5000	360	240
M120S/3/55 R	MM121SL.36.55	3590	3829	4103	5500	360	264
M120S/4/20 R	MM121SL.48.20	17500	17500	17500	2000	480	131
M120S/4/25 R	MM121SL.48.25	17500	17500	17500	2500	480	162
M120S/4/30 R	MM121SL.48.30	12766	15319	17500	3000	480	194
M120S/4/35 R	MM121SL.48.35	9574	10942	12766	3500	480	226
M120S/4/40 R	MM121SL.48.40	7659	8511	9574	4000	480	257
M120S/4/45 R	MM121SL.48.45	6383	6963	7659	4500	480	289
M120S/4/50 R	MM121SL.48.50	5471	5892	6383	5000	480	320
M120S/4/55 R	MM121SL.48.55	4787	5106	5471	5500	480	352

Model	Item code	Loading capacity per pair kg			Length mm	External width B mm	Weight per pair kg
		1500 mm	1750 mm	2000 mm			
M120S/5/20 R	MM121SL.60.20	21700	21700	21700	2000	600	163
M120S/5/25 R	MM121SL.60.25	21700	21700	21700	2500	600	203
M120S/5/30 R	MM121SL.60.30	15958	19149	21700	3000	600	243
M120S/5/35 R	MM121SL.60.35	11968	13678	15958	3500	600	282
M120S/5/40 R	MM121SL.60.40	9574	10638	11968	4000	600	321
M120S/5/45 R	MM121SL.60.45	7979	8704	9574	4500	600	361
M120S/5/50 R	MM121SL.60.50	6839	7365	7979	5000	600	400
M120S/5/55 R	MM121SL.60.55	5984	6383	6839	5500	600	440
M120S/6/20 R	MM121SL.72.20	26300	26300	26300	2000	720	196
M120S/6/25 R	MM121SL.72.25	26300	26300	26300	2500	720	244
M120S/6/30 R	MM121SL.72.30	19149	22979	26300	3000	720	291
M120S/6/35 R	MM121SL.72.35	14362	16414	19149	3500	720	339
M120S/6/40 R	MM121SL.72.40	11489	12766	14362	4000	720	385
M120S/6/45 R	MM121SL.72.45	9574	10445	11489	4500	720	433
M120S/6/50 R	MM121SL.72.50	8207	8838	9574	5000	720	480
M120S/6/55 R	MM121SL.72.55	7181	7659	8207	5500	720	528

## ANCHORING SYSTEMS



**Carabiner clip with steel chain (standard):** The steel chain must be hooked using the carabiner clip supplied to the loading bed, and must be inserted into the appropriate attachment system provided under the ramp's driving surface.



**Steel pin (on request):** A galvanised steel pin with a diameter of 14 mm and a 24-mm-diameter head can be inserted through the holes in the standard head connection of the ramp and the loading bed.



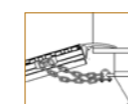
## HANDLING SYSTEMS



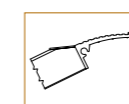
**Nylon handles (on request):** The product can be supplied with robust nylon handles to facilitate handling. Available in lengths of 30 cm and 60 cm, according to the model of the product selected.

Recommended nylon handles for manual handling: 4 pcs each ramp. Recommended nylon handles for handling by lifting equipment: 2 pcs minimum each ramp.

## ANCHORING SYSTEMS



**Carabiner clip with steel chain (standard):** The steel chain must be hooked using the carabiner clip supplied to the loading bed, and must be inserted into the appropriate attachment system provided under the ramp's driving surface.



**Steel pin (on request):** A galvanised steel pin with a diameter of 14 mm and a 24-mm-diameter head can be inserted through the holes in the standard head connection of the ramp and the loading bed.



## HANDLING SYSTEMS



**Nylon handles (on request):** The product can be supplied with robust nylon handles to facilitate handling. Available in lengths of 30 cm and 60 cm, according to the model of the product selected.

Recommended nylon handles for manual handling: 4 pcs each ramp. Recommended nylon handles for handling by lifting equipment: 2 pcs minimum each ramp.

# LOADING RAMPS

M105F 

# LOADING RAMPS

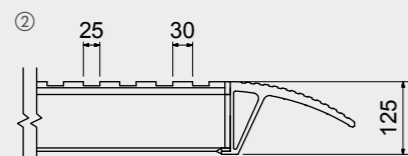
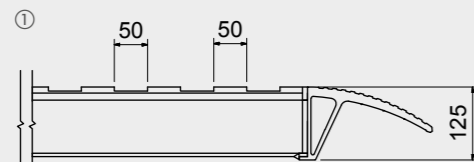
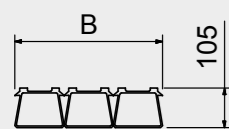
M105F 

PRODUCT FAMILY:  
**M105F M120F M130F**

MAX. LOADING CAPACITY  
PER PAIR:  
**58.000 kg**







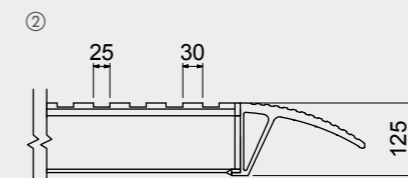
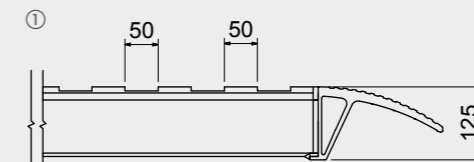
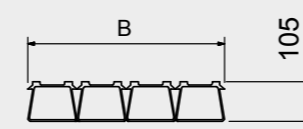
To meet the requirements of people who need to move vehicles with very heavy loads in complete safety, Metalmec has designed this range of products which, together with the profiles used and the mechanical processes implemented in their production, ensure excellent performance. The range comes milled in 50/50 mm steps as standard and is particularly suitable for moving heavy vehicles with steel tracks. On request, the product can be milled in short 25/30 mm steps should the user wish to move heavy vehicles with solid rubber wheels. Available in various widths and with different types of head connections, they are particularly valued by manufacturers of heavy trailers as they are perfectly suited to their needs. The range is made without raised edges and the product is supplied with the required anchoring chains.



- ① STEP 50/50 (STANDARD)
- ② SPECIAL STEP 25/30 (ON REQUEST)





### HEAD TYPES

- ①  ① STANDARD HEAD (L)
- ②  ② HEAD WITH HOOK (G) (ON REQUEST)
- ③  ③ HEAD WITH SUPPORT (A) (ON REQUEST)
- ④  ④ HEAD WITH TUBE (T) (ON REQUEST)



- ① STEP 50/50 (STANDARD)
- ② SPECIAL STEP 25/30 (ON REQUEST)

### HEAD TYPES

- ①  ① STANDARD HEAD (L)
- ②  ② HEAD WITH HOOK (G) (ON REQUEST)
- ③  ③ HEAD WITH SUPPORT (A) (ON REQUEST)
- ④  ④ HEAD WITH TUBE (T) (ON REQUEST)

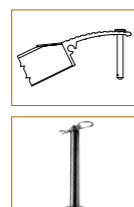
Model	Item code	Loading capacity per pair kg			Length mm	External width B mm	Weight per pair kg
		1000 mm	1500 mm	2000 mm			
M105F/390/1000	MM105SL.39.10	21500	21500	21500	1000	390	41
M105F/390/1500	MM105SL.39.15	21500	21500	21500	1500	390	57
M105F/390/2000	MM105SL.39.20	13720	21500	21500	2000	390	73
M105F/390/2500	MM105SL.39.25	9145	13720	18000	2500	390	89
M105F/390/3000	MM105SL.39.30	6860	9145	13720	3000	390	105
M105F/390/3500	MM105SL.39.35	5485	6860	9145	3500	390	121
M105F/390/4000	MM105SL.39.40	4575	5485	6860	4000	390	137
M105F/390/4500	MM105SL.39.45	3920	4575	5485	4500	390	153
M105F/390/5000	MM105SL.39.50	3430	3920	4575	5000	390	168

Model	Item code	Loading capacity per pair kg			Length mm	External width B mm	Weight per pair kg
		1000 mm	1500 mm	2000 mm			
M105F/520/1000	MM105SL.52.10	29000	29000	29000	1000	520	55
M105F/520/1500	MM105SL.52.15	29000	29000	29000	1500	520	76
M105F/520/2000	MM105SL.52.20	18290	29000	29000	2000	520	98
M105F/520/2500	MM105SL.52.25	12195	18290	22000	2500	520	119
M105F/520/3000	MM105SL.52.30	9145	12195	18290	3000	520	140
M105F/520/3500	MM105SL.52.35	7315	9145	12195	3500	520	161
M105F/520/4000	MM105SL.52.40	6095	7315	9145	4000	520	183
M105F/520/4500	MM105SL.52.45	5225	6095	7315	4500	520	204
M105F/520/5000	MM105SL.52.50	4575	5225	6095	5000	520	225

### ANCHORING SYSTEMS

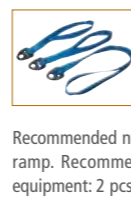


**Carabiner clip with steel chain (standard):** The steel chain must be hooked using the carabiner clip supplied to the loading bed, and must be inserted into the appropriate attachment system provided under the ramp's driving surface.



**Steel pin (on request):** A galvanised steel pin with a diameter of 14 mm and a 24-mm-diameter head can be inserted through the holes in the standard head connection of the ramp and the loading bed.

### HANDLING SYSTEMS



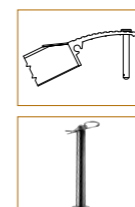
**Nylon handles (on request):** The product can be supplied with robust nylon handles to facilitate handling. Available in lengths of 30 cm and 60 cm, according to the model of the product selected.

Recommended nylon handles for manual handling: 4 pcs each ramp. Recommended nylon handles for handling by lifting equipment: 2 pcs minimum each ramp.

### ANCHORING SYSTEMS

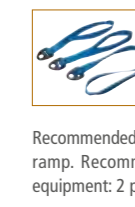


**Carabiner clip with steel chain (standard):** The steel chain must be hooked using the carabiner clip supplied to the loading bed, and must be inserted into the appropriate attachment system provided under the ramp's driving surface.



**Steel pin (on request):** A galvanised steel pin with a diameter of 14 mm and a 24-mm-diameter head can be inserted through the holes in the standard head connection of the ramp and the loading bed.

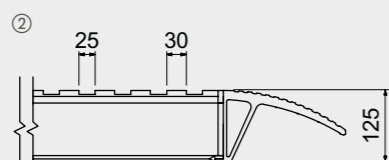
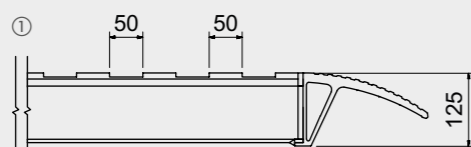
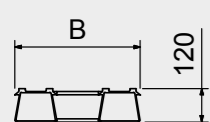
### HANDLING SYSTEMS



**Nylon handles (on request):** The product can be supplied with robust nylon handles to facilitate handling. Available in lengths of 30 cm and 60 cm, according to the model of the product selected.

Recommended nylon handles for manual handling: 4 pcs each ramp. Recommended nylon handles for handling by lifting equipment: 2 pcs minimum each ramp.

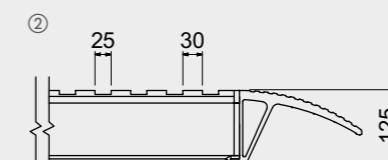
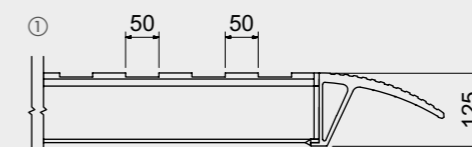
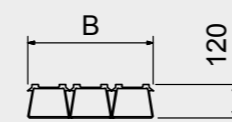




- ① STEP 50/50 (STANDARD)
- ② SPECIAL STEP 25/30 (ON REQUEST)

### HEAD TYPES

- ① STANDARD HEAD (L)
- ② HEAD WITH HOOK (G) (ON REQUEST)
- ③ HEAD WITH SUPPORT (A) (ON REQUEST)
- ④ HEAD WITH TUBE (T) (ON REQUEST)



- ① STEP 50/50 (STANDARD)
- ② SPECIAL STEP 25/30 (ON REQUEST)

### HEAD TYPES

- ① STANDARD HEAD (L)
- ② HEAD WITH HOOK (G) (ON REQUEST)
- ③ HEAD WITH SUPPORT (A) (ON REQUEST)
- ④ HEAD WITH TUBE (T) (ON REQUEST)

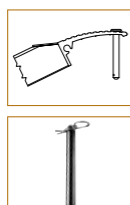
Model	Item code	Loading capacity per pair kg			Length mm	External width B mm	Weight per pair kg
		1000 mm	1500 mm	2000 mm			
M120F/390/1000	MM122SL.39.10	21500	21500	21500	1000	390	39
M120F/390/1500	MM122SL.39.15	21500	21500	21500	1500	390	52
M120F/390/2000	MM122SL.39.20	13410	21500	21500	2000	390	67
M120F/390/2500	MM122SL.39.25	8940	13410	18000	2500	390	81
M120F/390/3000	MM122SL.39.30	6705	8940	13410	3000	390	94
M120F/390/3500	MM122SL.39.35	5365	6705	8940	3500	390	107
M120F/390/4000	MM122SL.39.40	4470	5365	6705	4000	390	122
M120F/390/4500	MM122SL.39.45	3830	4470	5365	4500	390	136
M120F/390/5000	MM122SL.39.50	3350	3830	4470	5000	390	149

Model	Item code	Loading capacity per pair kg			Length mm	External width B mm	Weight per pair kg
		1000 mm	1500 mm	2000 mm			
M120F/450/1000	MM122SL.45.10	29000	29000	29000	1000	450	51
M120F/450/1500	MM122SL.45.15	29000	29000	29000	1500	450	71
M120F/450/2000	MM122SL.45.20	20115	29000	29000	2000	450	91
M120F/450/2500	MM122SL.45.25	13410	20115	22000	2500	450	112
M120F/450/3000	MM122SL.45.30	10055	13410	20115	3000	450	132
M120F/450/3500	MM122SL.45.35	8045	10055	13410	3500	450	152
M120F/450/4000	MM122SL.45.40	6705	8045	10055	4000	450	172
M120F/450/4500	MM122SL.45.45	5745	6705	8045	4500	450	192
M120F/450/5000	MM122SL.45.50	5030	5745	6705	5000	450	212

### ANCHORING SYSTEMS

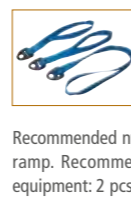


**Carabiner clip with steel chain (standard):** The steel chain must be hooked using the carabiner clip supplied to the loading bed, and must be inserted into the appropriate attachment system provided under the ramp's driving surface.



**Steel pin (on request):** A galvanised steel pin with a diameter of 14 mm and a 24-mm-diameter head can be inserted through the holes in the standard head connection of the ramp and the loading bed.

### HANDLING SYSTEMS



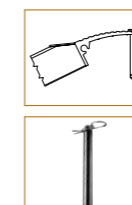
**Nylon handles (on request):** The product can be supplied with robust nylon handles to facilitate handling. Available in lengths of 30 cm and 60 cm, according to the model of the product selected.

Recommended nylon handles for manual handling: 4 pcs each ramp. Recommended nylon handles for handling by lifting equipment: 2 pcs minimum each ramp.

### ANCHORING SYSTEMS

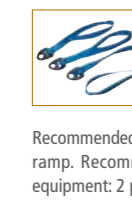


**Carabiner clip with steel chain (standard):** The steel chain must be hooked using the carabiner clip supplied to the loading bed, and must be inserted into the appropriate attachment system provided under the ramp's driving surface.



**Steel pin (on request):** A galvanised steel pin with a diameter of 14 mm and a 24-mm-diameter head can be inserted through the holes in the standard head connection of the ramp and the loading bed.

### HANDLING SYSTEMS



**Nylon handles (on request):** The product can be supplied with robust nylon handles to facilitate handling. Available in lengths of 30 cm and 60 cm, according to the model of the product selected.

Recommended nylon handles for manual handling: 4 pcs each ramp. Recommended nylon handles for handling by lifting equipment: 2 pcs minimum each ramp.

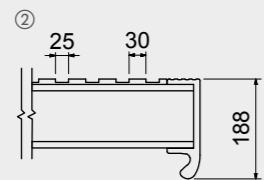
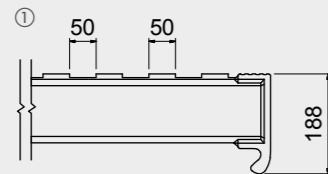
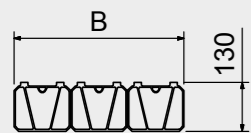
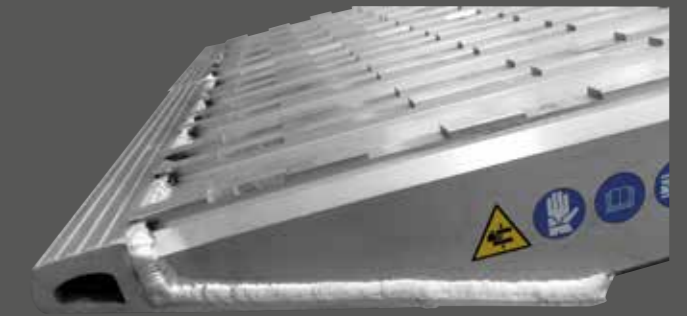
# LOADING RAMPS

M130F 



# LOADING RAMPS

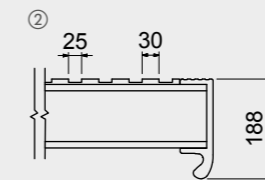
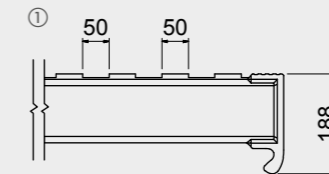
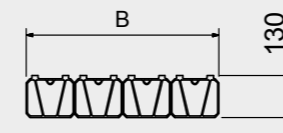
M130F 



- ① STEP 50/50 (STANDARD)
- ② SPECIAL STEP 25/30 (ON REQUEST)

## HEAD TYPES

- ① HEAD WITH SUPPORT (A) (STANDARD)
- ② HEAD WITH TUBE (T) (ON REQUEST)



- ① STEP 50/50 (STANDARD)
- ② SPECIAL STEP 25/30 (ON REQUEST)

## HEAD TYPES

- ① HEAD WITH SUPPORT (A) (STANDARD)
- ② HEAD WITH TUBE (T) (ON REQUEST)

Model	Item code	Loading capacity per pair kg			Length mm	External width B mm	Weight per pair kg
		1000 mm	1500 mm	2000 mm			
M130F/450/1000	MM130SA.45.10	50000	50000	50000	1000	465	64
M130F/450/1500	MM130SA.45.15	40000	40000	40000	1500	465	91
M130F/450/2000	MM130SA.45.20	27000	40000	40000	2000	465	117
M130F/450/2500	MM130SA.45.25	17000	23000	34000	2500	465	144
M130F/450/3000	MM130SA.45.30	13300	17500	26200	3000	465	170
M130F/450/3500	MM130SA.45.35	10700	13100	18000	3500	465	197
M130F/450/4000	MM130SA.45.40	8800	10300	14000	4000	465	224
M130F/450/4500	MM130SA.45.45	7400	8500	10500	4500	465	250
M130F/450/5000	MM130SA.45.50	6500	7400	8500	5000	465	277

Model	Item code	Loading capacity per pair kg			Length mm	External width B mm	Weight per pair kg
		1000 mm	1500 mm	2000 mm			
M130F/600/1000	MM130SA.60.10	58000	58000	58000	1000	615	85
M130F/600/1500	MM130SA.60.15	46500	50000	50000	1500	615	121
M130F/600/2000	MM130SA.60.20	37000	45000	50000	2000	615	156
M130F/600/2500	MM130SA.60.25	27000	34000	48000	2500	615	192
M130F/600/3000	MM130SA.60.30	19500	25000	36000	3000	615	227
M130F/600/3500	MM130SA.60.35	15800	19000	26100	3500	615	263
M130F/600/4000	MM130SA.60.40	13100	15600	19000	4000	615	298
M130F/600/4500	MM130SA.60.45	10000	11000	12000	4500	615	334
M130F/600/5000	MM130SA.60.50	8500	9500	10500	5000	615	370

## ANCHORING SYSTEMS



**Carabiner clip with steel chain (standard):** The steel chain must be hooked using the carabiner clip supplied to the loading bed, and must be inserted into the appropriate attachment system provided under the ramp's driving surface.

## HANDLING SYSTEMS



**Nylon handles (on request):** The product can be supplied with robust nylon handles to facilitate handling. Available in lengths of 30 cm and 60 cm, according to the model of the product selected. Recommended nylon handles for manual handling: 4 pcs each ramp. Recommended nylon handles for handling by lifting equipment: 2 pcs minimum each ramp.

## ANCHORING SYSTEMS



**Carabiner clip with steel chain (standard):** The steel chain must be hooked using the carabiner clip supplied to the loading bed, and must be inserted into the appropriate attachment system provided under the ramp's driving surface.

## HANDLING SYSTEMS



**Nylon handles (on request):** The product can be supplied with robust nylon handles to facilitate handling. Available in lengths of 30 cm and 60 cm, according to the model of the product selected. Recommended nylon handles for manual handling: 4 pcs each ramp. Recommended nylon handles for handling by lifting equipment: 2 pcs minimum each ramp.

# HEAVY-DUTY WEDGES AND BRIDGES M133

PRODUCT FAMILY:

## M133

MAX. LOADING CAPACITY PER PAIR:

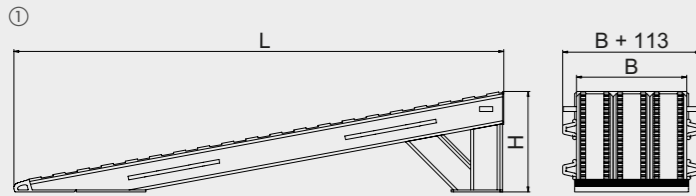
## 48.000 kg

The loading system wedge with bridge, made with milled profiles with high mechanical characteristics, is the ideal solution to overcome small loading heights with heavy concentrated loads vehicles.

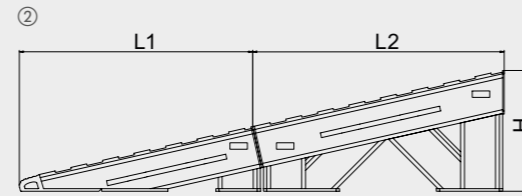
The wedge can be used individually or extended through the use of a bridge in order to overcome loading heights up to 500 mm.

The system is provided with safety rings to secure the structure through the chains and aluminium handles to facilitate the handling of each element.

The product can be customized according to your needs.



① STANDARD WEDGE



② SPECIAL WEDGE AND BRIDGE (ON REQUEST)

Item code	Loading capacity per pair kg Wheelbase 2000 mm	Length L* mm	External width B mm	Height H max mm	Weight per pair kg
MM13350.45.25	34000	2500	450	500	180
MM13350.60.25	48000	2500	600	500	240

\* Dimensions can be modified according to your load requirements. Please contact us for further details.

# SUPPORT STANDS M136

PRODUCT FAMILY:

## M136

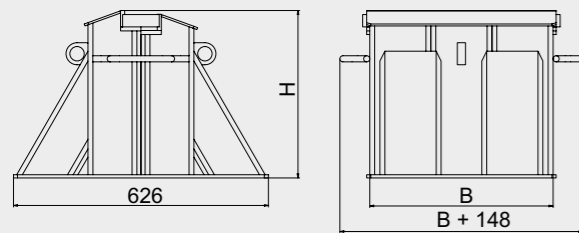
MAX. LOADING CAPACITY PER PAIR:

## 50.000 kg

The ramps with support stand system allows the loading of vehicles that cannot overcome steep slopes. The system is modular: this way the weight of each element is reduced, making it easy to install and to move them.

The support stand guarantees maximum stability to the system for transit in total safety and can be adjusted to every ramp model available on our catalogue.

The product can be customized according to your needs.



Item code	Loading capacity per pair kg	External width B mm	Height H* mm	Weight per pair kg
MM13650.45.06	37500	450	610	96
MM13650.60.06	50000	600	610	128

Maximum loading height 1200mm.

\* Dimensions can be modified according to your load requirements. Please contact us for further details.

# RAMPS BRIDGES AND TAIL LIFTS



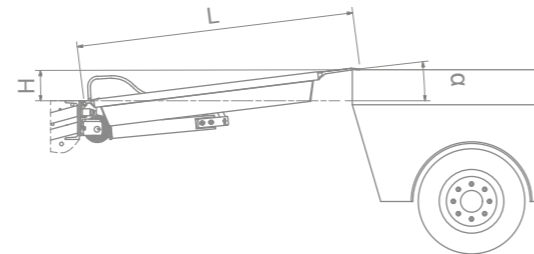
The range of ramps, bridges and tail lifts produced by Metalmecc is able to meet professional requirements for loading and unloading vehicles and equipment, particularly those of logistics companies, goods transport vehicle suppliers and truck/trailer manufacturers. With the ability to move vehicles weighing between 300 kg and

7500 kg (manual pallet trucks, electric pallet trucks, forklifts, etc.), whatever your needs for overcoming positive or negative height differences, our range of standard or customised products is sure to provide you with a solution that will guarantee you the best in terms of quality, durability and safety.

## HOW TO DETERMINE THE LENGTH OF THE BRIDGE OR TAIL LIFT

During use, the inclination ( $\alpha$ ) of the bridge or tail lift must not exceed a maximum slope of 12.5% (in accordance with the UNI EN 1398:2009 standard). In order to establish the minimum length (L) of the bridge or tail lift to a good approximation, apply the following formula:

$$\frac{\text{LENGTH OF BRIDGE OR TAIL LIFT IN MILLIMETRES (L)}}{\text{HEIGHT DIFFERENCE IN MILLIMETRES (H) X 100}} = \text{\% MAXIMUM SLOPE } (\alpha)$$



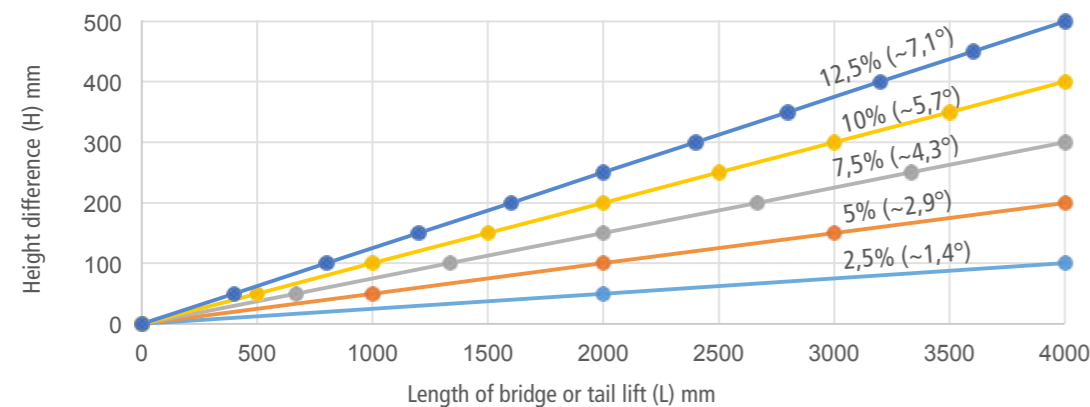
Height difference (H) refers to the height of the loading bed from the fulcrum of the bridge or tail lift.

The maximum slope ( $\alpha$ ) depends on the vehicle used during the loading and unloading activity. In this respect we recommend, for safe operation, the following maximum slopes based on some of the vehicles used in logistics:

4% for manual pallet trucks, 8% for walk-behind electric pallet trucks and 12% for electric ride-on forklifts.

EXAMPLE: Let's assume we need to overcome a height difference (H) of 100 mm using an electric pallet truck. By applying the formula indicated above, we obtain: LENGTH OF BRIDGE OR TAIL LIFT IN MILLIMETRES (L) = 100 mm x 100 / 8 = 1250 mm You must therefore select a bridge or tail lift with a minimum length of 1250 mm.

The diagram clearly shows the dimensions used to determine the length of the bridge or tail lift and their interrelationships expressed by the formula above.



## NOTES

- In order to ensure a minimum safety clearance on each side of the transport vehicle, the width of the bridge or tail lift must be at least 0.70 m greater than the track width of the vehicle in transit/transport, and in any event not less than 1.25 m (in accordance with the UNI EN 1398:2009 standard). In order to ensure greater safety conditions for the operators, it is recommended to use a bridge or tail lift with a width equal to that of the vehicle's loading bed.
- The support ends or "heads" must rest on at least 0.10 m of the loading/unloading dock and loading bed of the vehicle.
- Transit is only permitted for vehicles with rubber wheels or tracks.
- Transit is strictly prohibited to any vehicles with metal tracks or metal parts that could come into contact with the structure of the bridge or tail lift.
- For the MS040G loading bridges, a loading dock foundation strength greater than 1.6 kg/cm<sup>2</sup> is advised.
- If the loading dock foundation is made of concrete or similar, a minimum strength class of C25/30 is advised, which means the concrete has  $F_{ck} = 25 \text{ N/mm}^2$  and  $R_{ck} = 30 \text{ N/mm}^2$  (in accordance with the UNI EN 206-1:2006 and UNI 11104:2004 standards).
- The instructions for use and maintenance are described in the instruction and warning manual supplied with the product.
- The manufacturer's declaration of conformity is an integral part of the instruction and warning manual.
- For all information regulating the supply of these products, please refer to the manufacturer's General Conditions of Sale at the following website: [www.metalmeccrl.it](http://www.metalmeccrl.it)

## OPTIONS

- The guide rail is available on request in 3 m long bars of rough, non-galvanised steel.
- Bridges and tail lifts are available in the dimensions shown on the following product pages (width B greater than or equal to 1250 mm, in accordance with the UNI EN 1398:2009 standard). If you require products with different dimensions from those stated, please contact us directly.

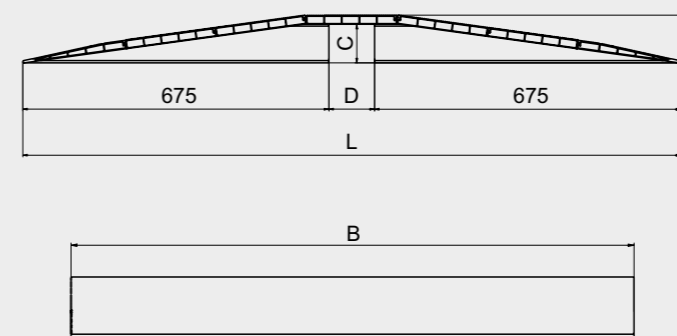
PRODUCT FAMILY:

**MBAP**

MAX. LOADING CAPACITY:

**2.000 kg**

Made with high-resistant aluminium profiles and with a special non-slip transit surface, this range of bridge access ramps allows wheeled equipment such as hand-pushed trolleys, manual and electric pallet trucks to overcome obstacles on the ground, like pipes and cable ducts. This type of ramps is not suitable for forklifts. Thanks to its lightness, the product can be quickly and easily moved to another position, according to the needs of use. Upon request, it is possible to manufacture special versions with different dimensions and with maximum loading capacity of 2000 kg at 1000 mm wheelbase.



Model	Item code	Loading capacity kg with 1000 mm wheelbase mm	Length L* mm	Width B* mm	Height C* mm	D* mm	E* mm	Weight kg
MBAP2	MM55150.95.14	1000	1450	950	85	100	105	19

\* Dimensions can be modified according to your load requirements. Please contact us for further details.

# WEDGE ACCESS RAMPS

**MBAL** 

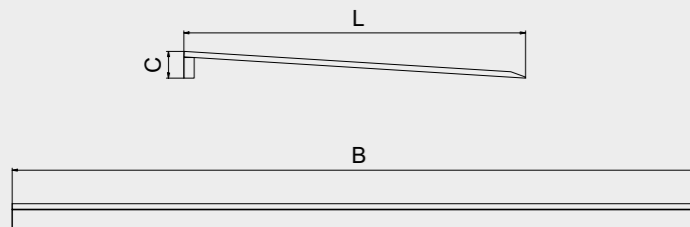
PRODUCT FAMILY:

**MBAL**

MAX. LOADING CAPACITY:

**800 kg**

This type of wedge-type access ramp, made of non-slip corrugated sheet metal coating, is used to overcome small differences in height by wheeled equipment such as hand trucks, hand pallet trucks and electric pallet trucks. Thanks to its lightweight and the presence of a lateral loop in the surface, the product can be moved quickly and effortlessly according to usage requirements.



# WEDGE ACCESS RAMPS

**MBAS** 

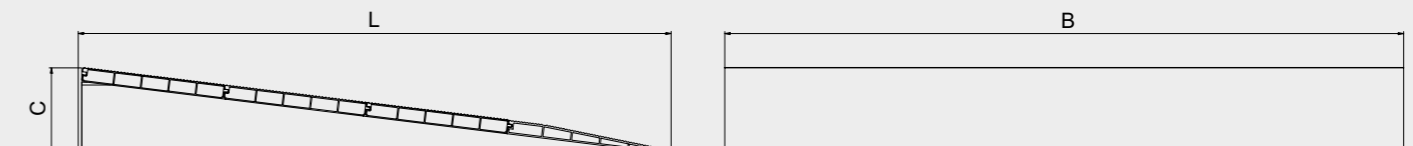
PRODUCT FAMILY:

**MBAS**

MAX. LOADING CAPACITY:

**3.000 kg**

This type of wedge access ramps, made with high-resistant aluminium profiles and with a special non-slip transit surface, allows wheeled equipment such as hand-pushed trolleys, manual pallet trucks and electric pallet trucks to overcome small heights differences (this type of ramps is not suitable for forklifts). Thanks to its light weight, the product can be quickly and easily moved according to one's needs. Upon request, it is possible to manufacture special versions with different measures and with maximum loading capacity of 3000 kg at 1000 mm wheelbase.



Model	Item code	Loading capacity kg	Length L mm	Width B mm	Height C mm	Weight kg
MBAL/1000/500/10	MM540S0.0010	800	500	1000	10	11
MBAL/1000/500/20	MM540S0.0020	800	500	1000	20	11
MBAL/1000/500/30	MM540S0.0030	800	500	1000	30	11
MBAL/1000/500/40	MM540S0.0040	800	500	1000	40	12
MBAL/1000/500/50	MM540S0.0050	800	500	1000	50	12

Model	Item code	Loading capacity kg with 1000 mm wheelbase	Length L* mm	Width B* mm	Height C* mm	Weight kg
MBAS/950/635/60	MM561S0.0060	1000	635	950	60	8
MBAS/950/635/65	MM561S0.0065	1000	635	950	65	8
MBAS/950/635/70	MM561S0.0070	1000	635	950	70	9
MBAS/950/635/75	MM561S0.0075	1000	635	950	75	9
MBAS/950/635/80	MM561S0.0080	1000	635	950	80	9
MBAS/950/635/85	MM561S0.0085	1000	635	950	85	9
MBAS/950/635/90	MM561S0.0090	1000	635	950	90	9
MBAS/950/635/95	MM561S0.0095	1000	635	950	95	9
MBAS/950/635/100	MM561S0.0100	1000	635	950	100	9
MBAS/950/635/105	MM561S0.0105	1000	635	950	105	9
MBAS/950/835/110	MM561S0.0110	1000	835	950	110	12
MBAS/950/835/115	MM561S0.0115	1000	835	950	115	12
MBAS/950/830/120	MM561S0.0120	1000	830	950	120	12
MBAS/950/830/125	MM561S0.0125	1000	830	950	125	12
MBAS/950/830/130	MM561S0.0130	1000	830	950	130	12
MBAS/950/830/135	MM561S0.0135	1000	830	950	135	12
MBAS/950/1030/140	MM561S0.0140	1000	1030	950	140	15
MBAS/950/1030/145	MM561S0.0145	1000	1030	950	145	16
MBAS/950/1030/150	MM561S0.0150	1000	1030	950	150	16
MBAS/950/1030/155	MM561S0.0155	1000	1030	950	155	16
MBAS/950/1030/160	MM561S0.0160	1000	1030	950	160	16
MBAS/950/1030/165	MM561S0.0165	1000	1030	950	165	16
MBAS/950/1030/170	MM561S0.0170	1000	1030	950	170	17

\* Dimensions can be modified according to your load requirements. Please contact us for further details.

# LOADING RAMPS

SH 

PRODUCT FAMILY:

**SH**

MAX. LOADING CAPACITY PER PAIR:

**7.500 kg**

This range of short ramps has been designed for use in various product sectors, from logistics to construction. In the logistics sector, the short ramps are ideal for electric pallet truck or forklift users who need to overcome small differences in height (between 120 and 400 mm). With loading capacities of up to 7500 kg, they lend themselves perfectly to the loading and unloading of containers. Similarly, in the construction sector, the ramps are ideal for enabling light machinery with rubber wheels or tracks to overcome low-level obstacles. The range is only available without raised edges.



# WHEEL RISERS

MCR 

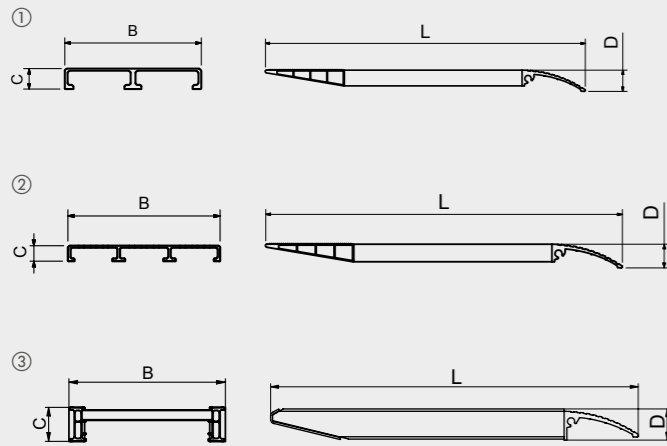
PRODUCT FAMILY:

**MCR**

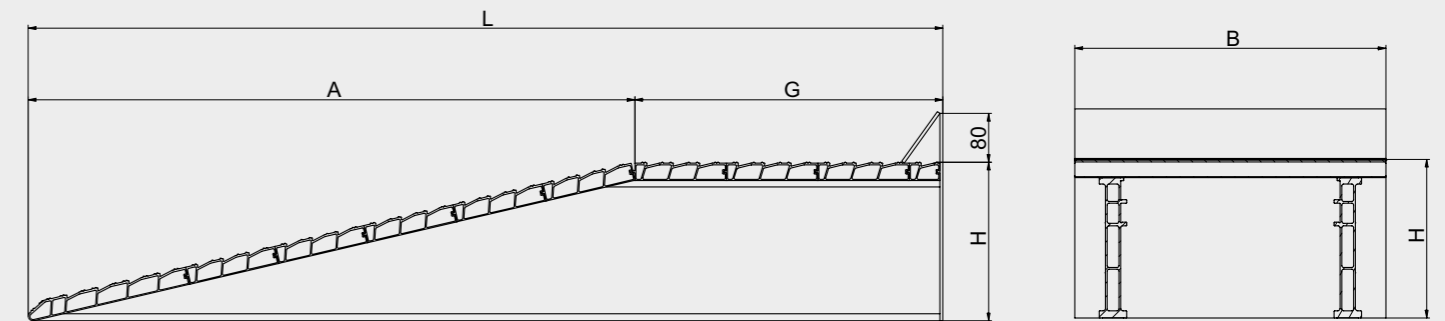
MAX. LOADING CAPACITY:

**12.000 kg**

This product range of wheel risers has been designed to lead the loading bed of transport vehicles to the same level of the loading and unloading docks of logistics platforms. They can also be used to lift vehicles that need maintenance. The wheel risers are made with high-resistant aluminium profiles and come with the safety wheel catch. Upon request, it is possible to manufacture the product with special measures.



- ① MODEL B2
- ② MODEL B3
- ③ MODEL M065



Model	Item code	Loading capacity per pair kg	Length L mm	External width B mm	Height of ramp profile C mm	Overall height of ramp D mm	Min./max. loading height mm	Weight per pair kg
M040B2/05SHF	MM500SL.21.05	1250	500	215	40	55	120 / 150	6
M040B2/08SHF	MM500SL.21.08	1250	800	215	40	55	160 / 180	8
M040B3/05SHF	MM500SL.31.05	2000	500	315	40	55	120 / 150	8
M040B3/08SHF	MM500SL.31.08	2000	800	315	40	55	160 / 180	12
M065/05SH	MM501SL.30.05	3000	495	300	65	67	120 / 150	7
M065/08SH	MM501SL.30.08	3000	795	300	65	67	160 / 180	10
Minimum width of the wheel or track 150 mm. Maximum width of the wheel or track 220 mm.								
M140/10SH	MM501SL.51.10	7500	1000	510	140	140	170 / 210	29
M150/12SH	MM501SL.51.12	7500	1250	510	150	150	220 / 260	38
M150/15SH	MM501SL.51.15	7500	1500	510	150	150	270 / 310	44
M150/17SH	MM501SL.51.17	7500	1750	510	150	150	320 / 360	50
M160/20SH	MM501SL.51.20	7500	2000	510	160	160	370 / 400	60
Minimum width of the wheel or track 200 mm. Maximum width of the wheel or track 430 mm.								

Model	Item code	Loading capacity per pair kg	Length L mm	External width B mm	Inclined plane length A mm	Horizontal plane length G mm	Height H mm	Weight per pair kg
MCR/145	MM565S0.51.14	12000	1217	510	712	505	145	34
MCR/190	MM565S0.51.19	12000	1514	510	1009	505	190	48
MCR/260	MM565S0.51.26	12000	1500	510	995	505	260	61
MCR/310	MM565S0.51.31	12000	1488	510	983	505	310	57

Minimum width of the wheel or track 300 mm.

# LOADING BRIDGES

MPL 

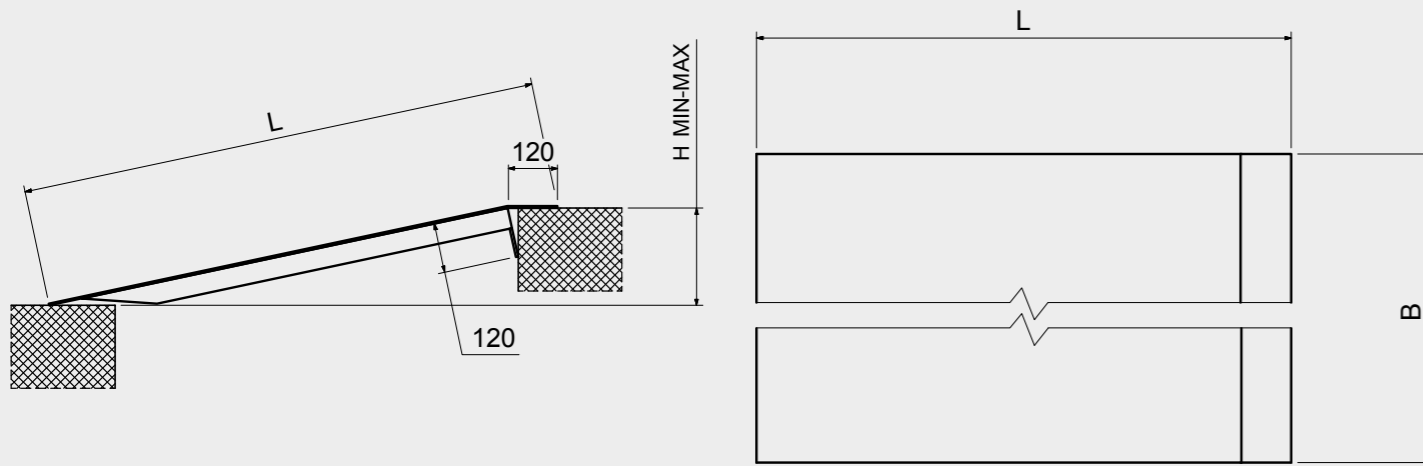
PRODUCT FAMILY:

**MPL**

MAX. LOADING CAPACITY:

**1.300 kg**

The removable loading bridges, made with non-slip aluminium quintet tread plates welded together, are particularly suitable for logistics applications when there is a need to move hand-pushed trolleys and manual pallet trucks from the dock of the logistics platform to the loading bed of the vehicle and vice versa. Its light weight means that the product can be quickly and easily moved to another position as required. The standard range allows the user to overcome height differences of up to 230 mm.



# LOADING BRIDGES

MS030 – 2TL 

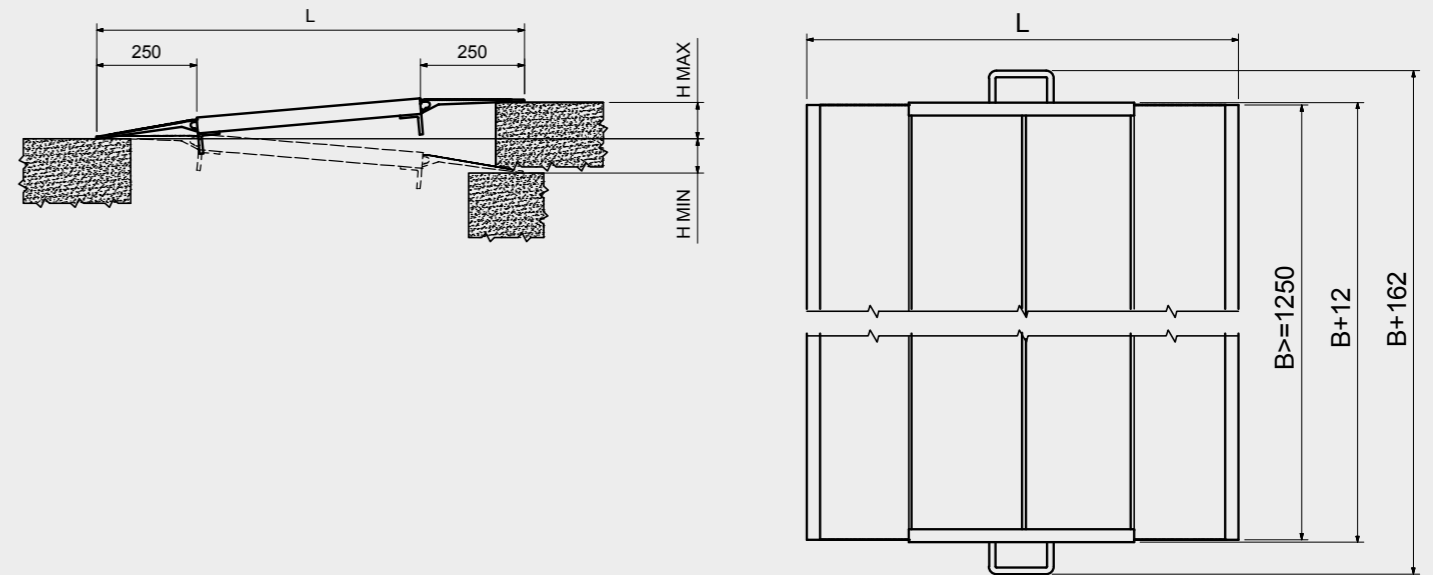
PRODUCT FAMILY:

**MS030 – 2TL**  
**MS040 – 2TL**

MAX. LOADING CAPACITY:

**5.000 kg**

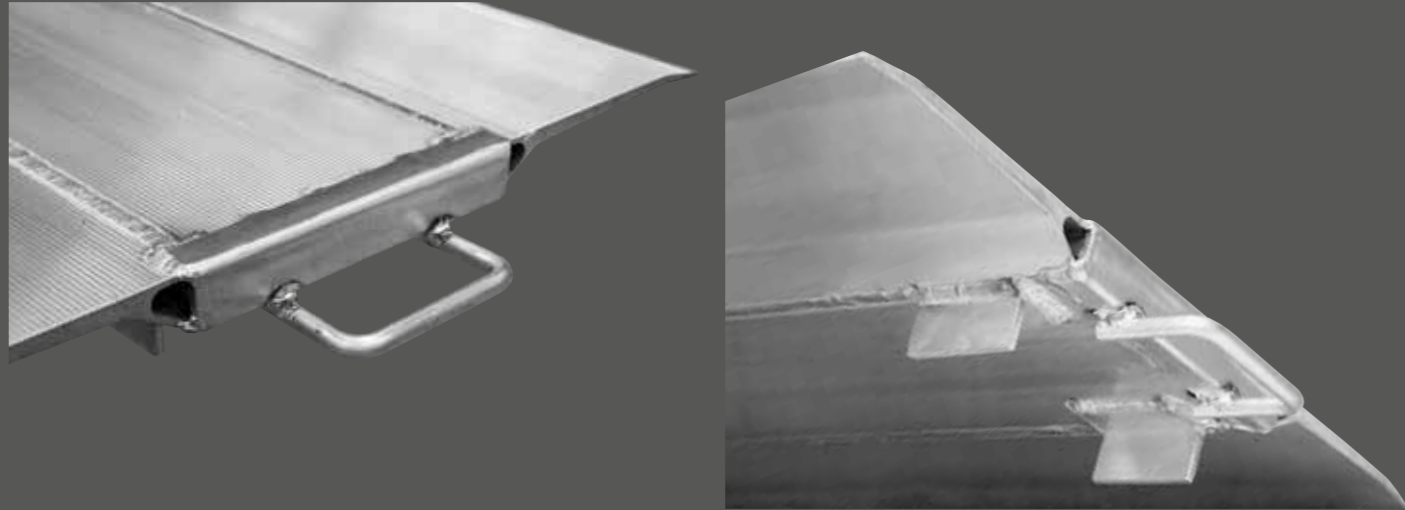
This range of removable loading bridges has been created with special extruded aluminium profiles that have a knurled, non-slip surface. The bridges are suitable for high-performance logistics applications which require the movement of electric pallet trucks and forklifts from the dock of the logistics platform to the loading bed of the vehicle and vice versa. The side handles, fitted as standard, mean that the product can be quickly and easily moved to another position as required. The standard range allows vehicles with a loading capacity of up to 5000 kg to overcome height differences of up to 120 mm.



Model	Item code	Max. loading capacity kg	Length L mm	Width B mm	Min./max. loading height mm	Weight kg
MPL0750L	MM570S0.12.07	610	750	1250	0 / 90	13
MPL1000L	MM570S0.12.10	610	1000	1250	50 / 120	17
MPL1200L	MM570S0.12.12	610	1200	1250	60 / 150	20
MPL1500L	MM570S0.12.15	610	1500	1250	80 / 190	25
MPL1800L	MM570S0.12.18	610	1800	1250	100 / 230	30
MPL0750H	MM580S0.12.07	1300	750	1250	0 / 90	20
MPL1000H	MM580S0.12.10	1300	1000	1250	50 / 120	27
MPL1200H	MM580S0.12.12	1300	1200	1250	60 / 150	33
MPL1500H	MM580S0.12.15	1300	1500	1250	80 / 190	41
MPL1800H	MM580S0.12.18	1300	1800	1250	100 / 230	49

Model	Item code	Max. loading capacity kg	Length L mm	Width (minimum: 1250 mm) B mm	Min./max. loading height mm	Weight kg
MS0302TL/625/1250	MM650S0.12.06	3420	627	1250	-75 / 75	22
MS0302TL/750/1250	MM650S0.12.07	2895	752	1250	-90 / 90	24
MS0302TL/875/1250	MM650S0.12.08	2510	877	1250	-105 / 105	28
MS0302TL/1000/1250	MM650S0.12.10	2210	1002	1250	-120 / 120	32
MS0302TL/625/1500	MM650S0.15.06	3420	627	1500	-75 / 75	26
MS0302TL/750/1500	MM650S0.15.07	2895	752	1500	-90 / 90	29
MS0302TL/875/1500	MM650S0.15.08	2510	877	1500	-105 / 105	33
MS0302TL/1000/1500	MM650S0.15.10	2210	1002	1500	-120 / 120	38

Other dimensions available on request.



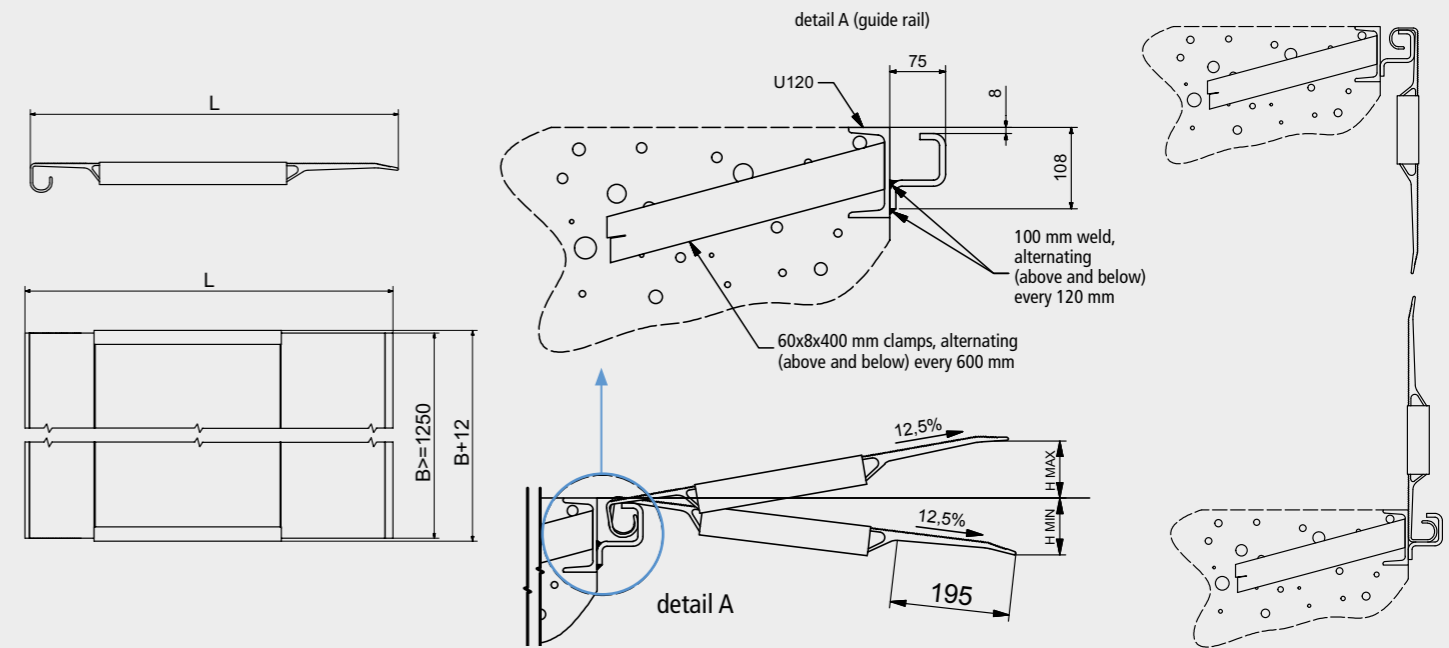
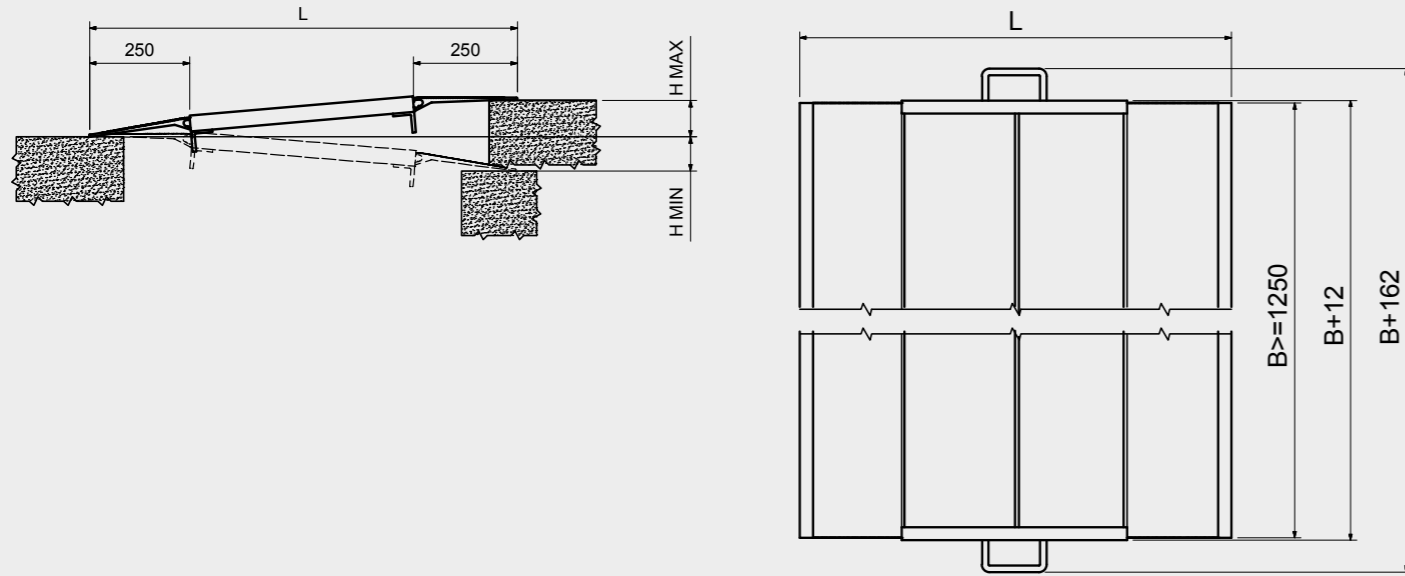
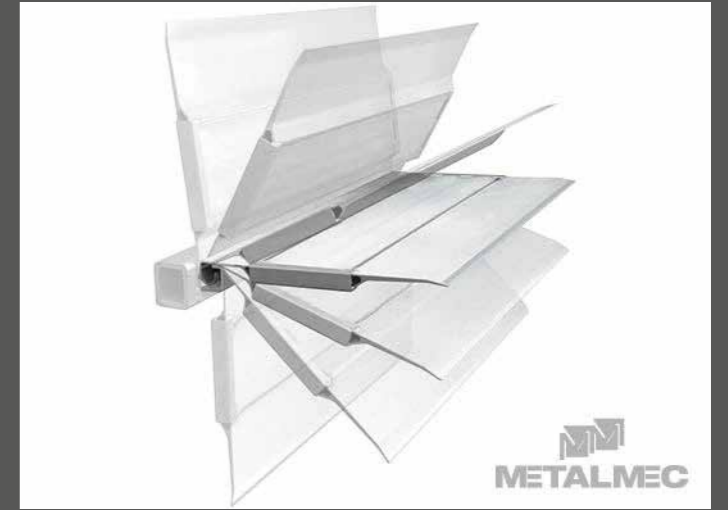
PRODUCT FAMILY:

**MS040 G**

MAX. LOADING CAPACITY:

**5.000 kg**

The MS040G family of loading bridges, which slide along a rail, are ideal for use in logistics applications for loading and unloading onto the dock. Made with robust, extruded aluminium profiles that have a knurled, non-slip surface, they can be easily moved to the appropriate position by simply sliding them along the guide rail. When not in use, they should be placed in a vertical position, with the safety catch fastened to prevent the bridges from falling. The standard range allows vehicles with a loading capacity of up to 5000 kg to overcome small and medium height differences of up to 110 mm.



Model	Item code	Max. loading capacity kg	Length	Width (minimum: 1250 mm) B mm	Min./max. loading height mm	Weight kg
			L mm			
MS0402TL/625/1250	MM750S0.12.06	5000	627	1250	-75 / 75	28
MS0402TL/750/1250	MM750S0.12.07	4800	752	1250	-90 / 90	34
MS0402TL/875/1250	MM750S0.12.08	4550	877	1250	-105 / 105	39
MS0402TL/1000/1250	MM750S0.12.10	4250	1002	1250	-120 / 120	43
MS0402TL/625/1500	MM750S0.15.06	5000	627	1500	-75 / 75	33
MS0402TL/750/1500	MM750S0.15.07	4800	752	1500	-90 / 90	41
MS0402TL/875/1500	MM750S0.15.08	4550	877	1500	-105 / 105	47
MS0402TL/1000/1500	MM750S0.15.10	4250	1002	1500	-120 / 120	51

Other dimensions available on request.

Model	Item code	Max. loading capacity kg	Length	Width (minimum: 1250 mm) B mm	Min./max. loading height mm	Weight kg
			L mm			
MS040G/535/1250	MM800S0.12.05	5000	535	1250	-55 / 55	24
MS040G/660/1250	MM800S0.12.06	5000	660	1250	-70 / 70	29
MS040G/785/1250	MM800S0.12.07	5000	785	1250	-95 / 95	34
MS040G/910/1250	MM800S0.12.09	5000	910	1250	-110 / 110	39
MS040G/535/1500	MM800S0.15.05	5000	535	1500	-55 / 55	29
MS040G/660/1500	MM800S0.15.06	5000	660	1500	-70 / 70	35
MS040G/785/1500	MM800S0.15.07	5000	785	1500	-95 / 95	41
MS040G/910/1500	MM800S0.15.09	5000	910	1500	-110 / 110	47

Other dimensions available on request.  
Guide rail available on request.





# TAIL LIFTS

# MS030 AC

# TAIL LIFTS

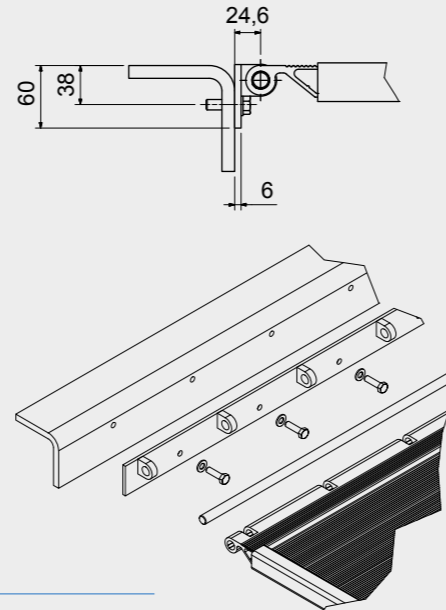
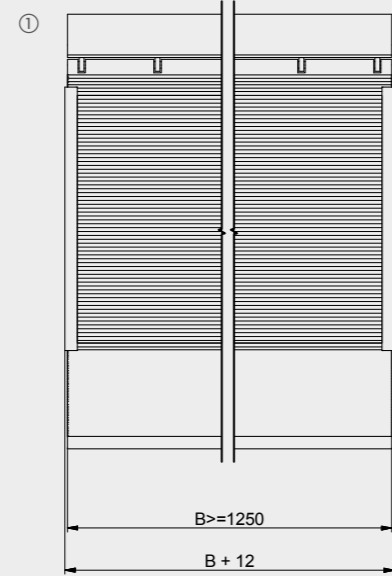
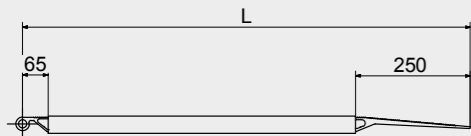
# MS030 AL

PRODUCT FAMILY:

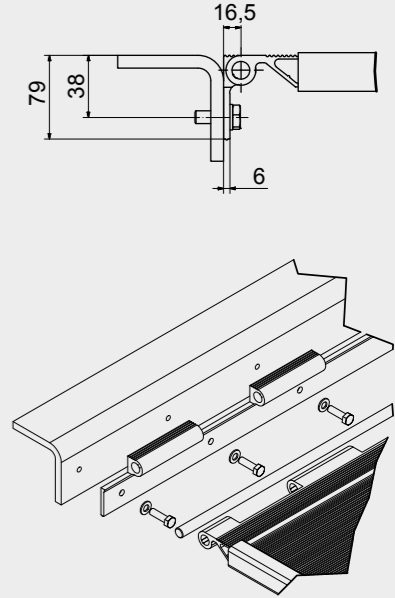
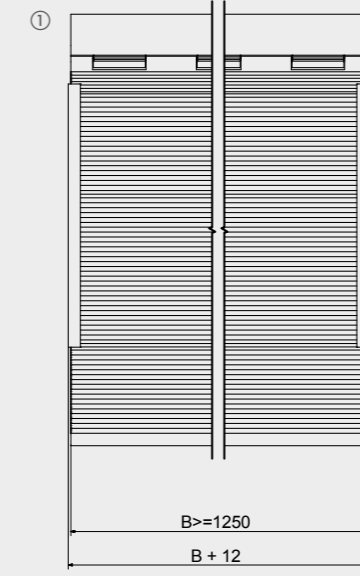
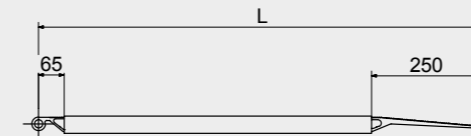
**MS030 AC – MS030 AL** **4.170 kg**

MAX. LOADING CAPACITY:

This range of hinged tail lifts, with a thickness of 30 mm, comes with two types of fastening to fix the tail lift to the vehicle's loading bed: steel and aluminium. Made using robust extruded aluminium profiles that have a knurled, non-slip surface, they are particularly valued by manufacturers and bodybuilders of transport vehicles and are ideally suited to loading and unloading goods using electric pallet trucks and forklift trucks.



① MODEL WITH STEEL HINGES



① MODEL WITH ALUMINIUM HINGES

Model	Item code	Max. loading capacity kg	Length L mm	Width (minimum: 1250 mm) B mm	Weight kg/m
MS030AC/565	MM600S0.12.05	4170	565	From 1250 mm on request	19
MS030AC/690	MM600S0.12.06	3420	690	From 1250 mm on request	21
MS030AC/815	MM600S0.12.08	2890	815	From 1250 mm on request	25
MS030AC/940	MM600S0.12.09	2510	940	From 1250 mm on request	27
MS030AC/1065	MM600S0.12.10	2210	1065	From 1250 mm on request	30
MS030AC/1190	MM600S0.12.11	1980	1190	From 1250 mm on request	34
MS030AC/1315	MM600S0.12.13	1790	1315	From 1250 mm on request	36
MS030AC/1565	MM600S0.12.15	1300	1565	From 1250 mm on request	42
MS030AC/1690	MM600S0.12.16	1100	1690	From 1250 mm on request	45
MS030AC/1815	MM600S0.12.18	950	1815	From 1250 mm on request	48
MS030AC/2065	MM600S0.12.20	720	2065	From 1250 mm on request	54

Other dimensions available on request.

Model	Item code	Max. loading capacity kg	Length L mm	Width (minimum: 1250 mm) B mm	Weight kg/m
MS030AL/565	MM601S0.12.05	4170	565	From 1250 mm on request	19
MS030AL/690	MM601S0.12.06	3420	690	From 1250 mm on request	21
MS030AL/815	MM601S0.12.08	2890	815	From 1250 mm on request	25
MS030AL/940	MM601S0.12.09	2510	940	From 1250 mm on request	27
MS030AL/1065	MM601S0.12.10	2210	1065	From 1250 mm on request	30
MS030AL/1190	MM601S0.12.11	1980	1190	From 1250 mm on request	34
MS030AL/1315	MM601S0.12.13	1790	1315	From 1250 mm on request	36
MS030AL/1565	MM601S0.12.15	1300	1565	From 1250 mm on request	42
MS030AL/1690	MM601S0.12.16	1100	1690	From 1250 mm on request	45
MS030AL/1815	MM601S0.12.18	950	1815	From 1250 mm on request	48
MS030AL/2065	MM601S0.12.20	720	2065	From 1250 mm on request	54

Other dimensions available on request.

# TAIL LIFTS

# MS040 AC

# TAIL LIFTS

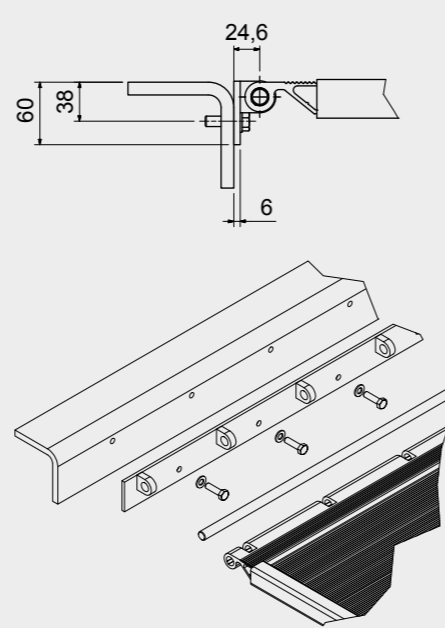
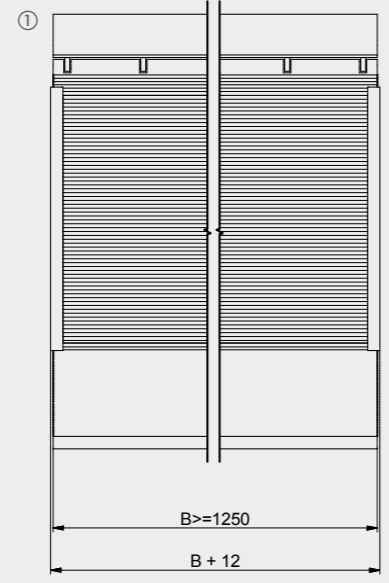
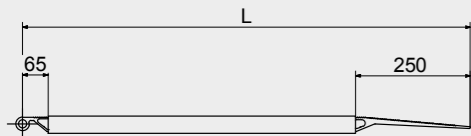
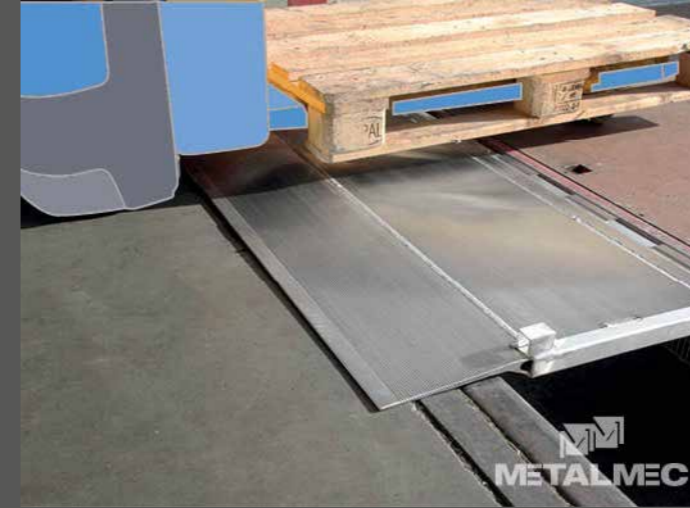
# MS040 AL

PRODUCT FAMILY:

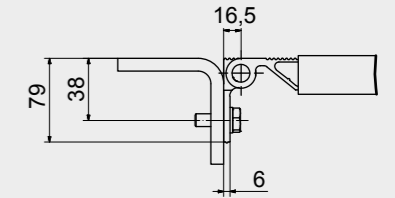
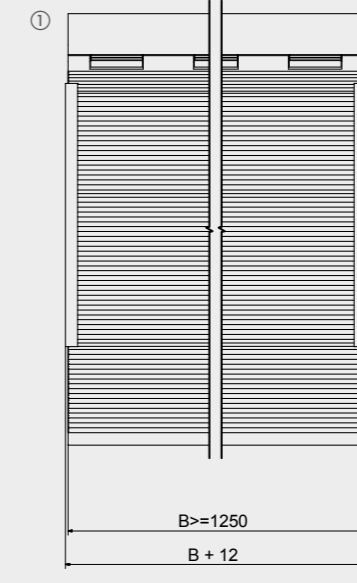
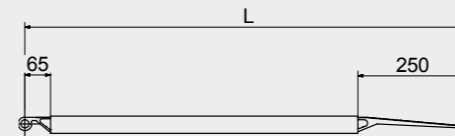
**MS040 AC – MS040 AL** **4.800 kg**

MAX. LOADING CAPACITY:

This range of hinged tail lifts, with a thickness of 40 mm, comes with two types of fastening to fix the tail lift to the vehicle's loading bed: steel and aluminium. Made using robust extruded aluminium profiles that have a knurled, non-slip surface, they are particularly valued by manufacturers of transport vehicles and are ideally suited to loading and unloading goods using electric pallet trucks and forklift trucks.



① MODEL WITH STEEL HINGES



① MODEL WITH ALUMINIUM HINGES

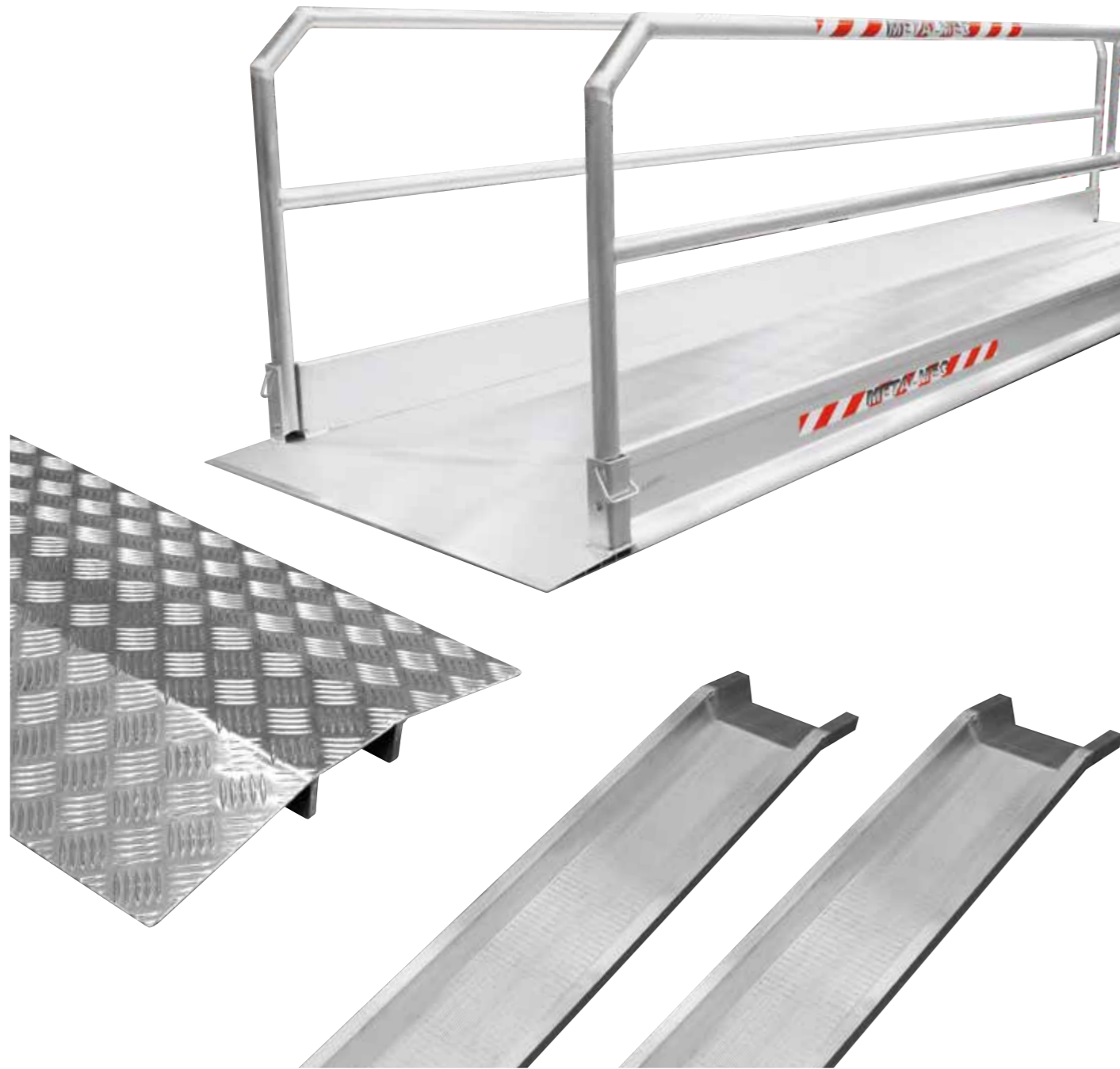
Model	Item code	Max. loading capacity kg	Length L mm	Width (minimum: 1250 mm) B mm	Weight kg/m
MS040AC/565	MM700S0.12.05	4800	565	From 1250 mm on request	23
MS040AC/690	MM700S0.12.06	4550	690	From 1250 mm on request	27
MS040AC/815	MM700S0.12.08	4250	815	From 1250 mm on request	31
MS040AC/940	MM700S0.12.09	3950	940	From 1250 mm on request	35
MS040AC/1065	MM700S0.12.10	3700	1065	From 1250 mm on request	39
MS040AC/1190	MM700S0.12.11	3450	1190	From 1250 mm on request	43
MS040AC/1315	MM700S0.12.13	3150	1315	From 1250 mm on request	47
MS040AC/1565	MM700S0.12.15	2700	1565	From 1250 mm on request	55
MS040AC/1690	MM700S0.12.16	2400	1690	From 1250 mm on request	59
MS040AC/1815	MM700S0.12.18	2100	1815	From 1250 mm on request	63
MS040AC/2065	MM700S0.12.20	1600	2065	From 1250 mm on request	71

Other dimensions available on request.

Model	Item code	Max. loading capacity kg	Length L mm	Width (minimum: 1250 mm) B mm	Weight kg/m
MS040AL/565	MM701S0.12.05	4800	565	From 1250 mm on request	23
MS040AL/690	MM701S0.12.06	4550	690	From 1250 mm on request	27
MS040AL/815	MM701S0.12.08	4250	815	From 1250 mm on request	31
MS040AL/940	MM701S0.12.09	3950	940	From 1250 mm on request	35
MS040AL/1065	MM701S0.12.10	3700	1065	From 1250 mm on request	39
MS040AL/1190	MM701S0.12.11	3450	1190	From 1250 mm on request	43
MS040AL/1315	MM701S0.12.13	3150	1315	From 1250 mm on request	47
MS040AL/1565	MM701S0.12.15	2700	1565	From 1250 mm on request	55
MS040AL/1690	MM701S0.12.16	2400	1690	From 1250 mm on request	59
MS040AL/1815	MM701S0.12.18	2100	1815	From 1250 mm on request	63
MS040AL/2065	MM701S0.12.20	1600	2065	From 1250 mm on request	71

Other dimensions available on request.

# RAMPS AND GANGWAYS FOR OVERCOMING ARCHITECTURAL BARRIERS



The solutions offered by Metalmec are able to guarantee accessibility and passage over architectural barriers (or temporary/permanent physical obstacles that hinder people's movements, particularly those who suffer from reduced or impaired mobility) both in private residential buildings and in public spaces. Whatever your needs for overcoming obstacles or height differences, our range of standard or customised products is sure to provide you with a solution that guarantees you the best in terms of quality, durability and safety.

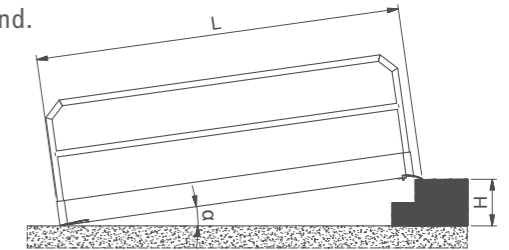
## HOW TO DETERMINE THE LENGTH OF THE RAMP

During use, the inclination ( $\alpha$ ) of the ramp must not exceed a maximum slope of 8% (in accordance with Italian Legislative Decree no. 13 of 09.01.1989 and Ministerial Decree no. 236 of 14.06.1989). In order to establish the minimum length (L) to a good approximation, apply the following formula:

$$\text{RAMP LENGTH IN MILLIMETRES (L)} = \frac{\text{HEIGHT DIFFERENCE IN MILLIMETRES (H)} \times 100}{\% \text{ MAXIMUM SLOPE } (\alpha)}$$

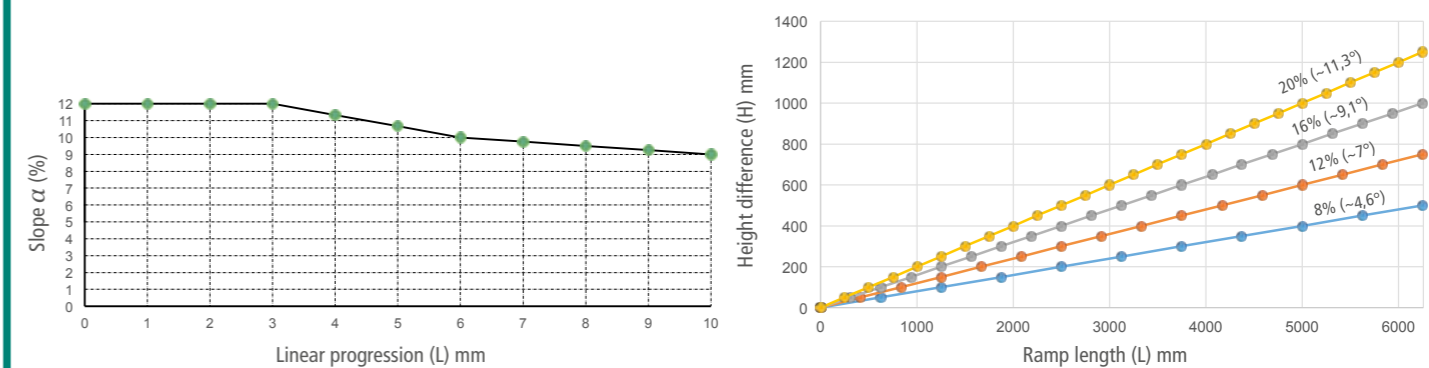
Height difference (H) refers to the height of the obstacle from the ground.

EXAMPLE: Let's assume we need to overcome a height difference (H) of 200 mm. By applying the formula indicated above, we obtain:  
 RAMP LENGTH IN MILLIMETRES (L) = 200 mm x 100 / 8 = 2500 mm  
 A ramp with a minimum length of 2500 mm must therefore be selected.



In case of adaptation, the aforementioned Italian regulation allows for steeper slopes in relation to the linear progression of the ramp. However, the ratio between slope and length must be of a lower value than what is shown by the interpolation line on the following graph (example: in case of adaptation, a maximum slope of 12% is permitted for lengths equal to or less than 3000 mm).

The following diagram clearly shows the dimensions used to determine the length of the ramps and their interrelationships expressed by the formula above.



## NOTES

- Our gangways meet the requirements of Italian Legislative Decree no. 13 of 09.01.1989 and Ministerial Decree no. 236 of 14.06.1989.
- There must be a minimum support of 0.33 m at each end of the gangway.
- Transit on the driveways is only permitted for vehicles with rubber wheels or tracks.
- Use the driveways for wheeled vehicles that have a minimum wheel width of 0.2 x 0.2 m.
- Use the driveways for tracked vehicles that have a minimum track width of 0.2 m.
- Transit is strictly prohibited to any vehicles with metal tracks or metal parts that could come into contact with the structure of the driveway.
- For the driveways, the maximum distribution permitted on the vehicle's front and rear axles is 40% - 60% respectively (50% - 50% is considered ideal).
- The instructions for use and maintenance are described in the instruction and warning manual supplied with the product.
- The manufacturer's declaration of conformity is an integral part of the instruction and warning manual.
- For all information regulating the supply of these products, please refer to the manufacturer's General Conditions of Sale at the following website: [www.metalmecsr.it](http://www.metalmecsr.it).

## OPTIONS

- Items are available in the dimensions specified on the following product pages. If you require products with different dimensions from those stated, please contact us directly.

# BRIDGE ACCESS RAMPS

**MBAP** 

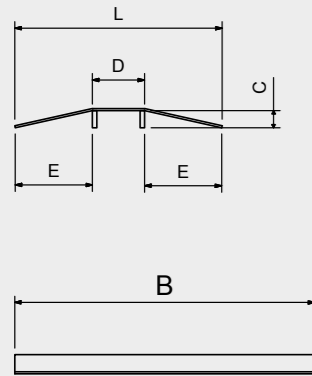
PRODUCT FAMILY:

**MBAP**

MAX. LOADING CAPACITY:

**150 kg**

This range of bridge access ramps, made with non-slip, aluminium quintet tread plates welded together, allows wheelchair users to easily overcome small obstacles on the ground, such as skirting boards and door thresholds, pipes and cable ducts. Its light weight means that the product can be quickly and easily moved to another position as required. The dimensions may vary according to specific needs.



# WEDGE ACCESS RAMPS

**MBAL** 

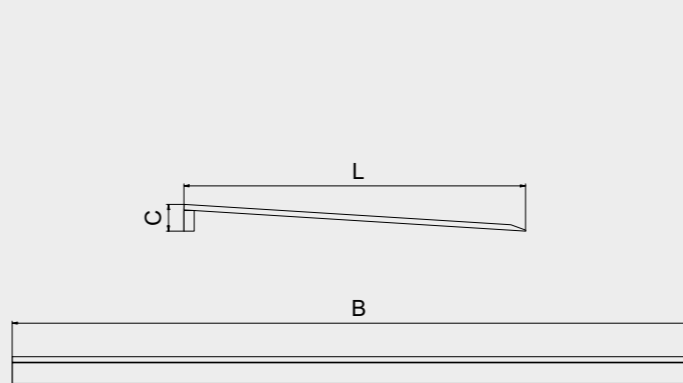
PRODUCT FAMILY:

**MBAL**

MAX. LOADING CAPACITY:

**800 kg**

This type of wedge-type access ramp, made of non-slip corrugated sheet metal coating, allows wheelchair users to easily overcome small steps and door thresholds. Thanks to its light weight and the presence of a lateral loop on the surface, the product can be moved quickly and effortlessly according to usage requirements.



Model	Item code	Loading capacity kg	Length L* mm	Width B* mm	Height C* mm	D* mm	E* mm	Weight kg
MBAP1	MM550S0.70.05	150	490	700	40	120	185	4

\* Dimensions can be modified according to your load requirements. Please contact us for further details.

Model	Item code	Loading capacity kg	Length L mm	Width B mm	Height C mm	Weight kg
MBAL/1000/500/10	MM540S0.0010	800	500	1000	10	11
MBAL/1000/500/20	MM540S0.0020	800	500	1000	20	11
MBAL/1000/500/30	MM540S0.0030	800	500	1000	30	11
MBAL/1000/500/40	MM540S0.0040	800	500	1000	40	12
MBAL/1000/500/50	MM540S0.0050	800	500	1000	50	12

# WEDGE ACCESS RAMPS

**MBAS** 

PRODUCT FAMILY:

**MBAS**

MAX. LOADING CAPACITY:

**3.000 kg**

This type of wedge-type access ramp, made of high-strength aluminium profiles and with a special non-slip walking surface, allows wheelchair users to easily overcome small differences in height.

Thanks to its lightness, the product can be moved quickly and effortlessly according to usage requirements.



# LOADING RAMPS

**M050** 

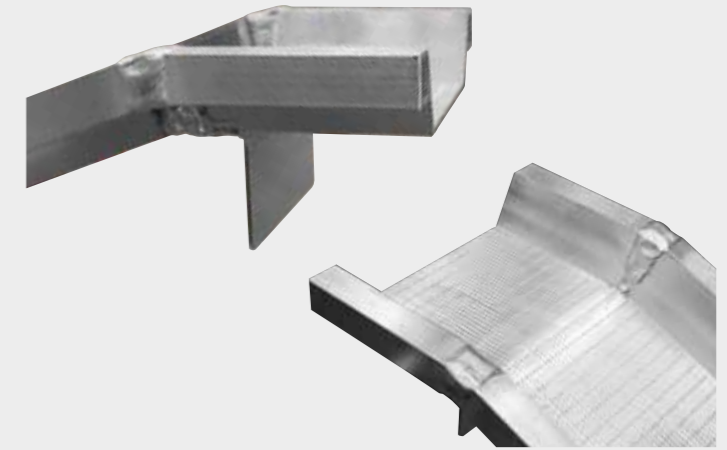
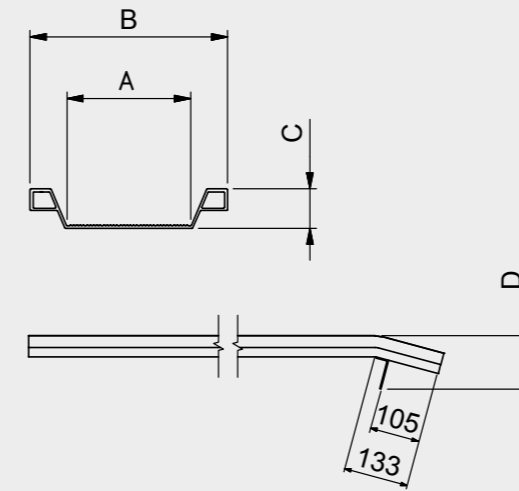
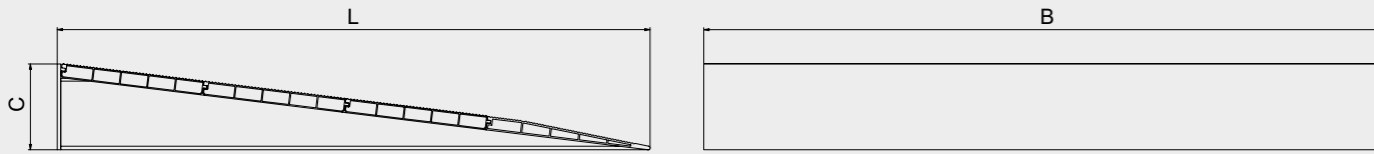
PRODUCT FAMILY:

**M050**

MAX. LOADING CAPACITY PER PAIR:

**1.500 kg**

These aluminium ramps offer an excellent compromise between high load capacity and low weight. They are robust, easy to handle and have a non-slip surface, obtained through coining. With an internal width of 155 mm and 45 mm containment edges, these ramps are particularly suitable for wheelchair users. The particular shape of the profile allows the ramps to be stacked one inside the other for ease of storage during transport. To further optimise transport inside vehicles with small luggage compartments, this range of ramps can be supplied either as a hinged, folding version, or as a bayonet coupling version. With the hinged, folding version, the loading capacity reduces to 300 kg per pair for all lengths.

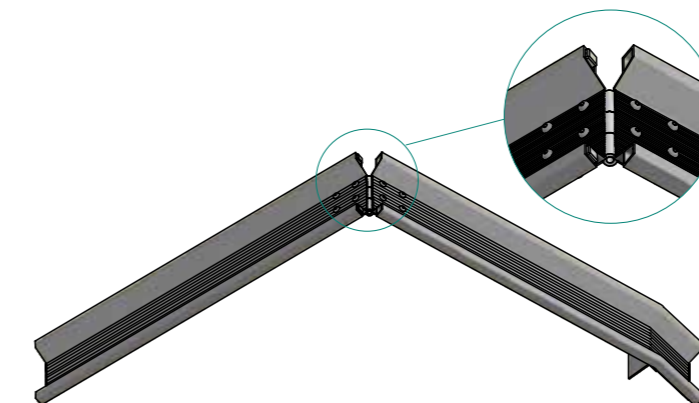


Model	Item code	Loading capacity kg with 1000 mm wheelbase	Length L* mm	Width B* mm	Height C* mm	Weight kg
MBAS/950/635/60	MM561S0.0060	1000	635	950	60	8
MBAS/950/635/65	MM561S0.0065	1000	635	950	65	8
MBAS/950/635/70	MM561S0.0070	1000	635	950	70	9
MBAS/950/635/75	MM561S0.0075	1000	635	950	75	9
MBAS/950/635/80	MM561S0.0080	1000	635	950	80	9
MBAS/950/635/85	MM561S0.0085	1000	635	950	85	9
MBAS/950/635/90	MM561S0.0090	1000	635	950	90	9
MBAS/950/635/95	MM561S0.0095	1000	635	950	95	9
MBAS/950/635/100	MM561S0.0100	1000	635	950	100	9
MBAS/950/635/105	MM561S0.0105	1000	635	950	105	9
MBAS/950/835/110	MM561S0.0110	1000	835	950	110	12
MBAS/950/835/115	MM561S0.0115	1000	835	950	115	12
MBAS/950/830/120	MM561S0.0120	1000	830	950	120	12
MBAS/950/830/125	MM561S0.0125	1000	830	950	125	12
MBAS/950/830/130	MM561S0.0130	1000	830	950	130	12
MBAS/950/830/135	MM561S0.0135	1000	830	950	135	12
MBAS/950/1030/140	MM561S0.0140	1000	1030	950	140	15
MBAS/950/1030/145	MM561S0.0145	1000	1030	950	145	16
MBAS/950/1030/150	MM561S0.0150	1000	1030	950	150	16
MBAS/950/1030/155	MM561S0.0155	1000	1030	950	155	16
MBAS/950/1030/160	MM561S0.0160	1000	1030	950	160	16
MBAS/950/1030/165	MM561S0.0165	1000	1030	950	165	16
MBAS/950/1030/170	MM561S0.0170	1000	1030	950	170	17

\* Dimensions can be modified according to your load requirements. Please contact us for further details.

Model	Item code	Loading capacity per pair kg			Length mm	Internal width A mm	External width B mm	Height of raised edge C mm	Overall ramp dimensions D mm	Weight per pair kg
		0 mm	500 mm	1000 mm						
M050/10	MM050B0.25.10	800	1500	1500	1000	155	246	45	100	9
M050/15	MM050B0.25.15	800	1479	1500	1500	155	246	45	100	13
M050/20	MM050B0.25.20	739	986	1479	2000	155	246	45	100	17
M050/25	MM050B0.25.25	532	665	887	2500	155	246	45	100	20
M050/30	MM050B0.25.30	419	503	628	3000	155	246	45	100	24
M050/35	MM050B0.25.35	346	404	485	3500	155	246	45	100	28

With the hinged, folding version, the loading capacity reduces to 300 kg per pair for all lengths.



HINGED VERSION (ON REQUEST)



BAYONET COUPLING VERSION (ON REQUEST)

# PEDESTRIAN RAMPS

MPPI 

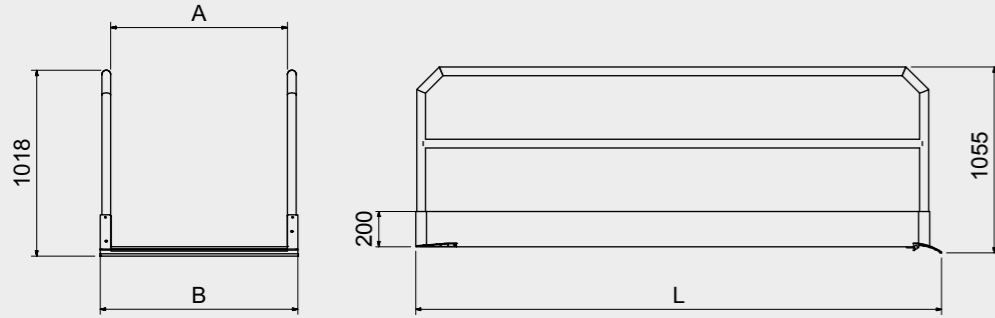
PRODUCT FAMILY:

**MPPI**

MAX. LOADING CAPACITY:

**400 kg/m<sup>2</sup>**

This range of pedestrian ramps with handrails, made using special extruded aluminium profiles, are ideal in various contexts, from private residential use to public applications. They allow people (particularly wheelchair users) to overcome various architectural barriers such as long staircases and very high steps. They are equipped with a non-slip transit surface, folding handrails and safety footstops. In addition, the particular shapes of the bottom end and the head allow the user to adjust the ramp to a wide range of slopes, depending on the required application.



# VEHICLE ACCESSIBLE RAMPS

MPI 

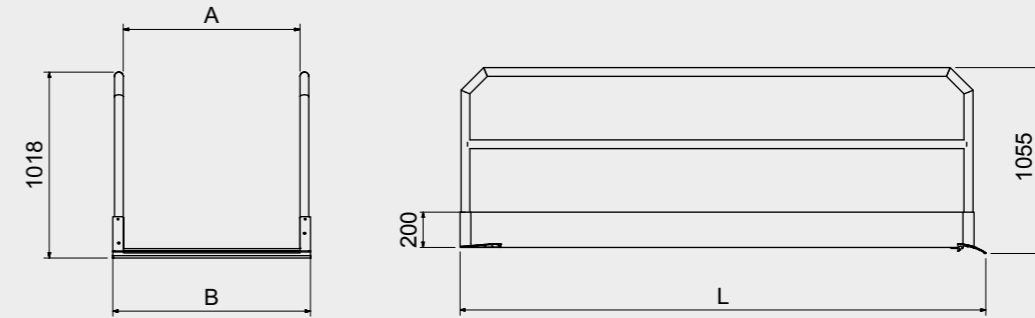
PRODUCT FAMILY:

**MPI**

MAX. LOADING CAPACITY:

**4.500 kg**

This range of vehicle accessible ramps with handrails, made using special extruded aluminium profiles, is particularly suitable for overcoming architectural barriers such as height differences due to trenches or public works. They allow access over these obstacles not only to people but also, and more importantly, to construction site vehicles with rubber wheels or tracks. In order to meet the requirements of the task, the ramps are equipped with a non-slip transit surface, folding handrails and safety footstops. In addition, the particular shapes of the bottom end and the head allow the user to adjust the ramp to a wide range of slopes, depending on the required application.



Model	Item code	Loading capacity kg/m <sup>2</sup>	Length L mm	Internal width A mm	External width B mm	Weight per piece kg
MPPI10/10	MM360BL.10.10	400	990	1000	1120	32
MPPI14/10	MM360BL.10.14	400	1390	1000	1120	41
MPPI20/10	MM360BL.10.20	400	1990	1000	1120	54
MPPI24/10	MM360BL.10.24	400	2390	1000	1120	62
MPPI30/10	MM360BL.10.30	400	2990	1000	1120	75
MPPI38/10	MM360BL.10.38	400	3790	1000	1120	92
MPPI48/10	MM360BL.10.48	400	4790	1000	1120	114
MPPI58/10	MM360BL.10.58	400	5790	1000	1120	136

Model	Item code	Loading capacity		Length L mm	Internal width A mm	External width B mm	Weight per piece kg
		750 mm wide tracked vehicle with 1000 mm wheelbase	900 mm wide wheeled vehicle with 750 mm wheelbase				
		kg	kg				
MPI10/10	MM310BL.10.10	3000	4500	990	1000	1120	34
MPI14/10	MM310BL.10.14	3000	4500	1390	1000	1120	44
MPI20/10	MM310BL.10.20	3000	4500	1990	1000	1120	59
MPI24/10	MM310BL.10.24	3000	3514	2390	1000	1120	69
MPI30/10	MM310BL.10.30	2746	2375	2990	1000	1120	84
MPI38/10	MM310BL.10.38	1830	1658	3790	1000	1120	104
MPI48/10	MM310BL.10.48	1292	1204	4790	1000	1120	130
MPI58/10	MM310BL.10.58	998	945	5790	1000	1120	156
MPI10/12	MM310BL.12.10	1500	1432	990	1250	1370	38
MPI14/12	MM310BL.12.14	1500	1432	1390	1250	1370	49
MPI20/12	MM310BL.12.20	1500	1432	1990	1250	1370	67
MPI24/12	MM310BL.12.24	1500	1432	2390	1250	1370	78
MPI30/12	MM310BL.12.30	1500	1432	2990	1250	1370	95
MPI38/12	MM310BL.12.38	1500	1432	3790	1250	1370	118
MPI48/12	MM310BL.12.48	1292	1204	4790	1250	1370	147
MPI58/12	MM310BL.12.58	998	945	5790	1250	1370	176

# WALKWAYS

MPP METALMEC

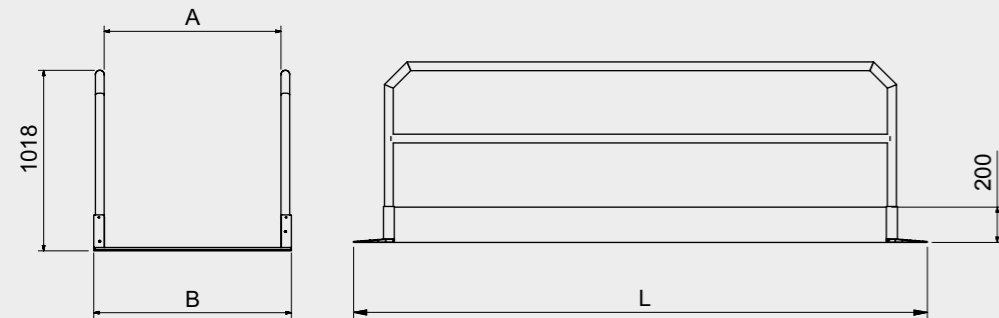
PRODUCT FAMILY:

**MPP**

MAX. LOADING CAPACITY:

**400 kg/m<sup>2</sup>**

This range of walkways with handrails, made using special extruded aluminium profiles, allows people to overcome architectural barriers such as trench pits. Equipped with a non-slip transit surface, folding handrails and safety footstops, they are particularly suitable for horizontal use.



# DRIVEWAYS

MP METALMEC

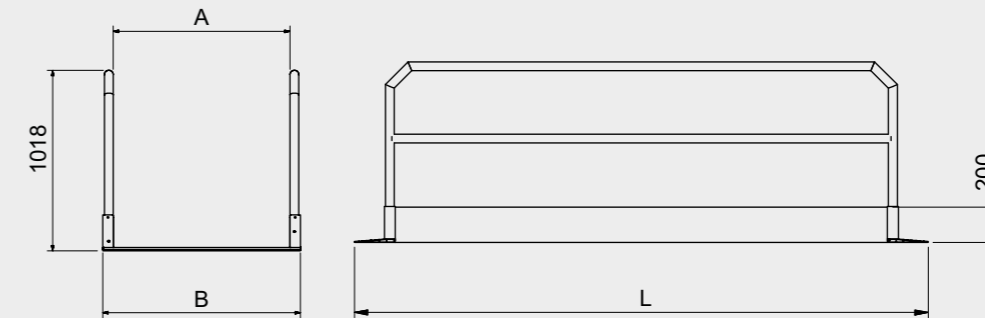
PRODUCT FAMILY:

**MP**

MAX. LOADING CAPACITY:

**4.500 kg**

This range of driveways with handrails, made using special extruded aluminium profiles, is particularly suitable for overcoming architectural barriers such as trench pits. They allow access over these obstacles not only to people but also, and more importantly, to construction site vehicles with rubber wheels or tracks. Equipped with a non-slip transit surface, folding handrails and safety footstops, they are particularly suitable for horizontal use.



Model	Item code	Loading capacity kg/m <sup>2</sup>	Length L mm	Internal width A mm	External width B mm	Max. trench width mm	Weight per piece kg
MPP12/10	MM350B0.10.12	400	1260	1000	1120	600	34
MPP16/10	MM350B0.10.16	400	1660	1000	1120	1000	43
MPP22/10	MM350B0.10.22	400	2260	1000	1120	1600	56
MPP26/10	MM350B0.10.26	400	2660	1000	1120	2000	64
MPP32/10	MM350B0.10.32	400	3255	1000	1120	2600	77
MPP40/10	MM350B0.10.40	400	4055	1000	1120	3400	94
MPP50/10	MM350B0.10.50	400	5055	1000	1120	4400	115
MPP60/10	MM350B0.10.60	400	6055	1000	1120	5400	136

Model	Item code	Loading capacity		Length L mm	Internal width A mm	External width B mm	Max. trench width mm	Weight per piece kg
		750 mm wide tracked vehicle with 1000 mm wheelbase kg	900 mm wide wheeled vehicle with 750 mm wheelbase kg					
MP12/10	MM300B0.10.12	3000	4500	1260	1000	1120	600	37
MP16/10	MM300B0.10.16	3000	4500	1660	1000	1120	1000	47
MP22/10	MM300B0.10.22	3000	4500	2260	1000	1120	1600	62
MP26/10	MM300B0.10.26	3000	3514	2660	1000	1120	2000	72
MP32/10	MM300B0.10.32	2746	2375	3255	1000	1120	2600	87
MP40/10	MM300B0.10.40	1830	1658	4055	1000	1120	3400	107
MP50/10	MM300B0.10.50	1292	1204	5055	1000	1120	4400	132
MP60/10	MM300B0.10.60	998	945	6055	1000	1120	5400	157
MP12/12	MM300B0.12.12	1500	1432	1260	1250	1370	600	41
MP16/12	MM300B0.12.16	1500	1432	1660	1250	1370	1000	52
MP22/12	MM300B0.12.22	1500	1432	2260	1250	1370	1600	70
MP26/12	MM300B0.12.26	1500	1432	2660	1250	1370	2000	81
MP32/12	MM300B0.12.32	1500	1432	3255	1250	1370	2600	98
MP40/12	MM300B0.12.40	1500	1432	4055	1250	1370	3400	121
MP50/12	MM300B0.12.50	1292	1204	5055	1250	1370	4400	149
MP60/12	MM300B0.12.60	998	945	6055	1250	1370	5400	178





METALMEC SRL

Via S. Cassiano, 6 · 24030 Mapello (BG) Italy  
Tel. +39 035 4945858 · Fax +39 035 4945149  
info@metalmecsr.it · [www.metalmecsr.it](http://www.metalmecsr.it)